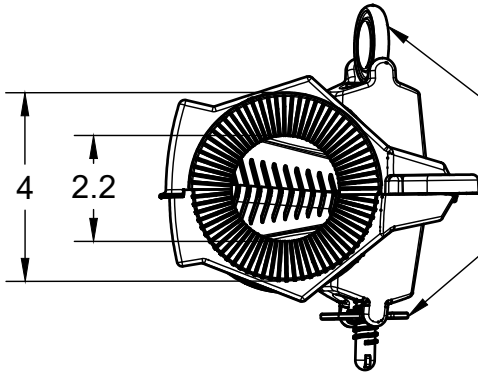


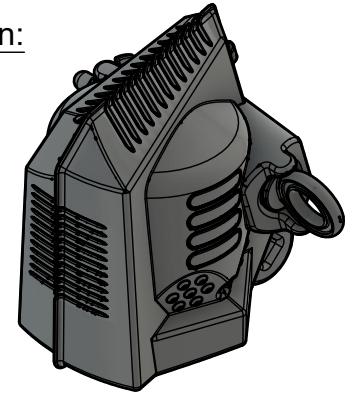
Shotgun Hotstick Attachment



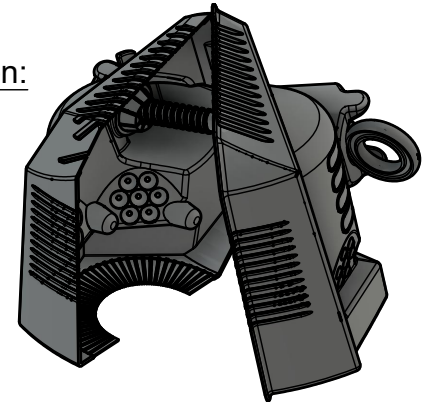
Bolt and Nut for Bushing Cover Size Adjustment

REVISIONS		
REVISION	DESCRIPTION	DATE
A	Initial Release	1/13/2021

Closed Position:



Open Position:



Power Line Sentry, LLC PowerLineSentry.com 8950 Pieper Road Wellington, Colorado 80549 1-970-599-1050			For any unspecified dimensions, reference solid model or contact Power Line Sentry			
<u>CONFIDENTIAL:</u> Property of: Power Line Sentry, LLC			Revisions on this item require inspection All dimensions are in inches Tolerances if not specified: .XX +/- .01 .XXX +/- .005 .XXXX +/- .0005 Angles +/- 1 Degree		MATERIAL DESCRIPTION Proprietary FR-UV Polymer Cover Color: Gray	
APPROVED KM 1/13/2021 CHECKED NM 1/13/2021 DRAWN DH 1/13/2021			SIZE TITLE A Universal distribution bushing cover			REV A
SCALE 1:3		SKU BC-D01	SHEET 1 of 1			

All information contained herein is the sole property of Power Line Sentry, LLC. Any reproduction of this drawing in whole or in part without the written permission of Power Line Sentry, LLC is prohibited.