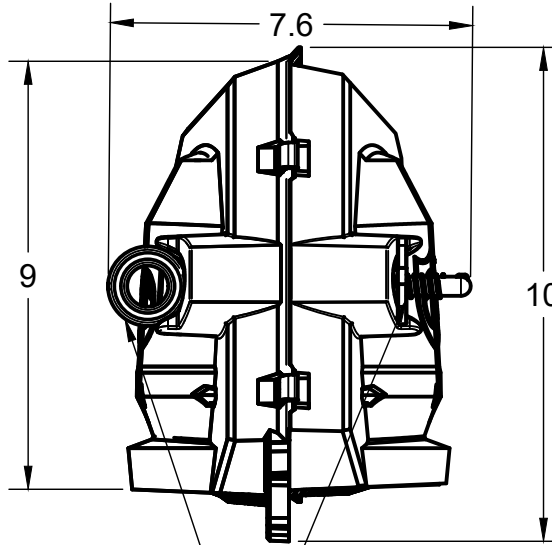
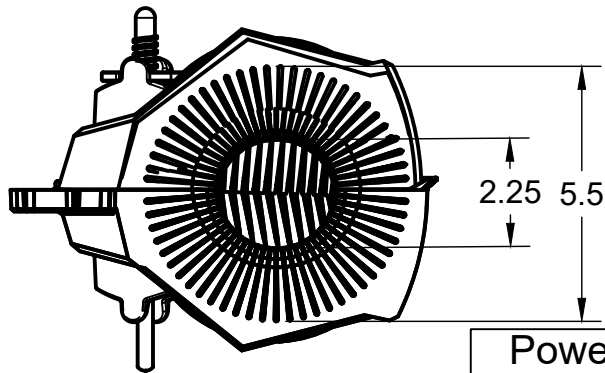


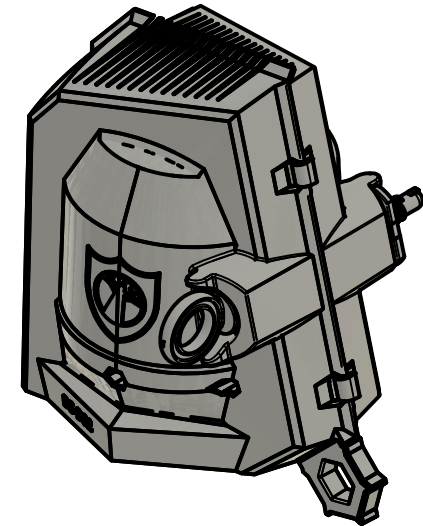
Hotstick Attachment Point



Bolt and Snap-in Nut for Size Adjustment



REVISIONS		
REVISION	DESCRIPTION	DATE
A	Initial Release	10/14/2022



Power Line Sentry, LLC PowerLineSentry.com 8950 Pieper Road Wellington, Colorado 80549 1-970-599-1050			For any unspecified dimensions, reference solid model or contact Power Line Sentry					
			Revisions on this item require inspection All dimensions are in inches Tolerances if not specified: .XX +/- .01 .XXX +/- .005 .XXXX +/- .0005 Angles +/- 1 Degree	MATERIAL DESCRIPTION Proprietary FR-UV Polymer Color: Gray				
<u>CONFIDENTIAL:</u> Property of: Power Line Sentry, LLC			All information contained herein is the sole property of Power Line Sentry, LLC. Any reproduction of this drawing in whole or in part without the written permission of Power Line Sentry, LLC is prohibited.					
APPROVED	TK	10/14/22				SIZE	TITLE	REV
CHECKED	TK	10/14/22	A	Medium Universal Equipment Cover	A			
DRAWN	KM	10/14/22	SCALE	1:4	SKU	BC-D02	SHEET	1 of 1