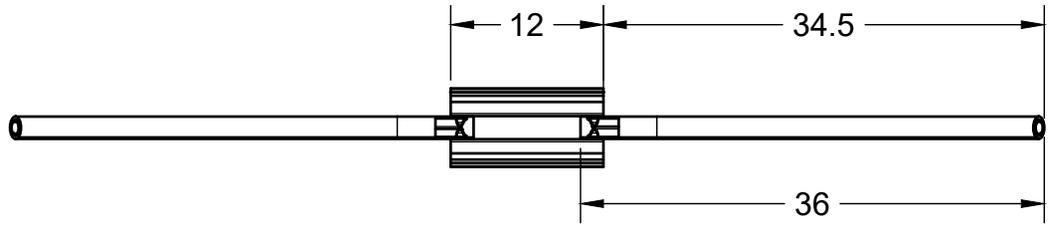
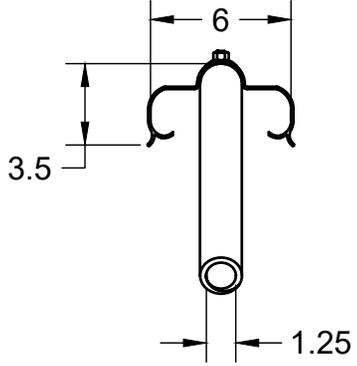
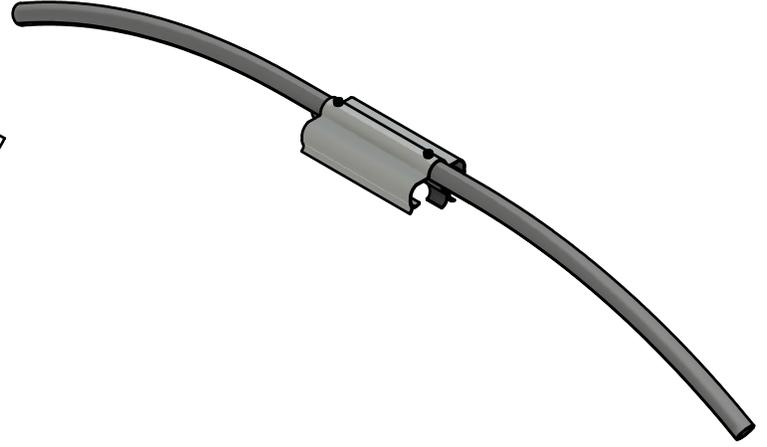
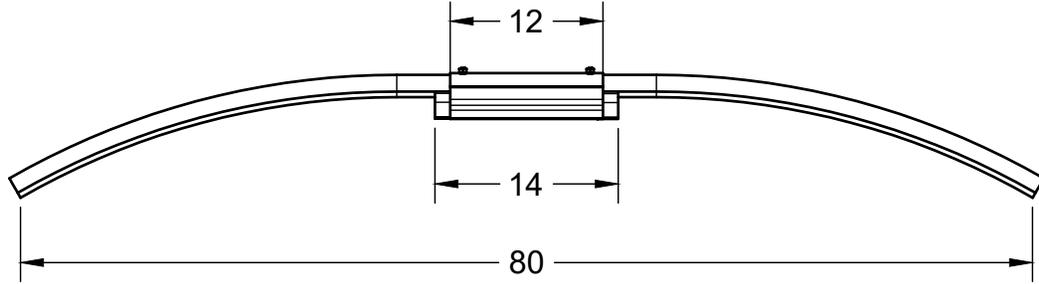


REVISIONS		
REVISION	DESCRIPTION	DATE
A	Initial Release	1/6/2021



Power Line Sentry, LLC PowerLineSentry.com 8950 Pieper Road Wellington, Colorado 80549 1-970-599-1050			For any unspecified dimensions, reference solid model or contact Power Line Sentry		
<u>CONFIDENTIAL:</u> Property of: Power Line Sentry, LLC			Revisions on this item require inspection All dimensions are in inches Tolerances if not specified: .XX +/- .01 .XXX +/- .005 .XXXX +/- .0005 Angles +/- 1 Degree	MATERIAL DESCRIPTION Proprietary FR-UV Polymer Color: Gray	
All information contained herein is the sole property of Power Line Sentry, LLC. Any reproduction of this drawing in whole or in part without the written permission of Power Line Sentry, LLC is prohibited.			APPROVED KM 1/6/2021 CHECKED DH 1/6/2021 DRAWN NM 1/6/2021	SIZE TITLE A Insulator conductor cover for J/K neck with flexible sleeves for up to 1590 ACSR	REV A
SCALE 1:15		SKU CC-Flex-JK-125		SHEET 1 of 1	