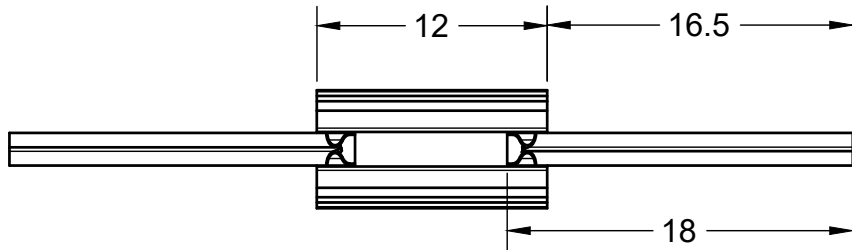
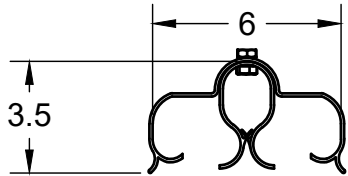
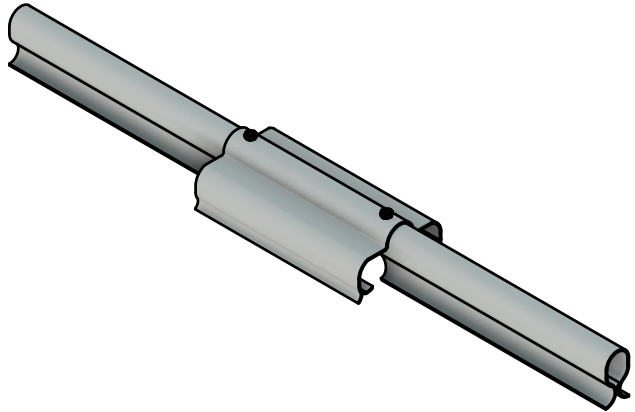
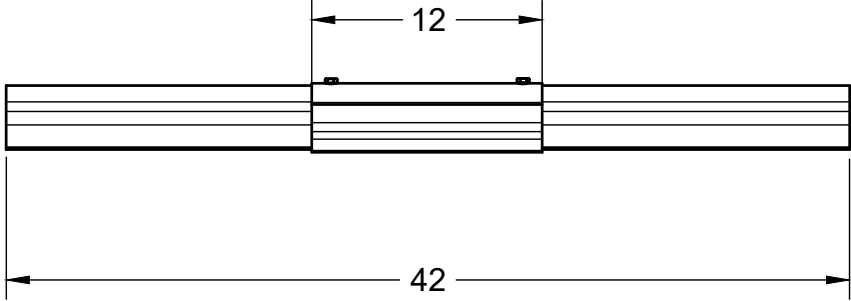


REVISIONS		
REVISION	DESCRIPTION	DATE
A	Initial Release	1/6/2021



<b>Power Line Sentry, LLC</b> PowerLineSentry.com 8950 Pieper Road Wellington, Colorado 80549 1-970-599-1050			For any unspecified dimensions, reference solid model or contact Power Line Sentry								
			Revisions on this item require inspection All dimensions are in inches Tolerances if not specified: .XX +/- .01 .XXX +/- .005 .XXXX +/- .0005 Angles +/- 1 Degree		<b>MATERIAL DESCRIPTION</b> Proprietary FR-UV Polymer Color: Gray		All information contained herein is the sole property of Power Line Sentry, LLC. Any reproduction of this drawing in whole or in part without the written permission of Power Line Sentry, LLC is prohibited.				
<u>CONFIDENTIAL:</u> Property of: <b>Power Line Sentry, LLC</b>			APPROVED	KM	1/6/2021	SIZE		TITLE	REV		
			CHECKED	DH	1/6/2021	<b>A</b>	Single top tie insulator conductor cover for J/K neck with rigid sleeves for up to 795 ACSR	<b>A</b>			
			DRAWN	NM	1/6/2021	SCALE	1:15	SKU	CC-STT-JK-18	SHEET	1 of 1