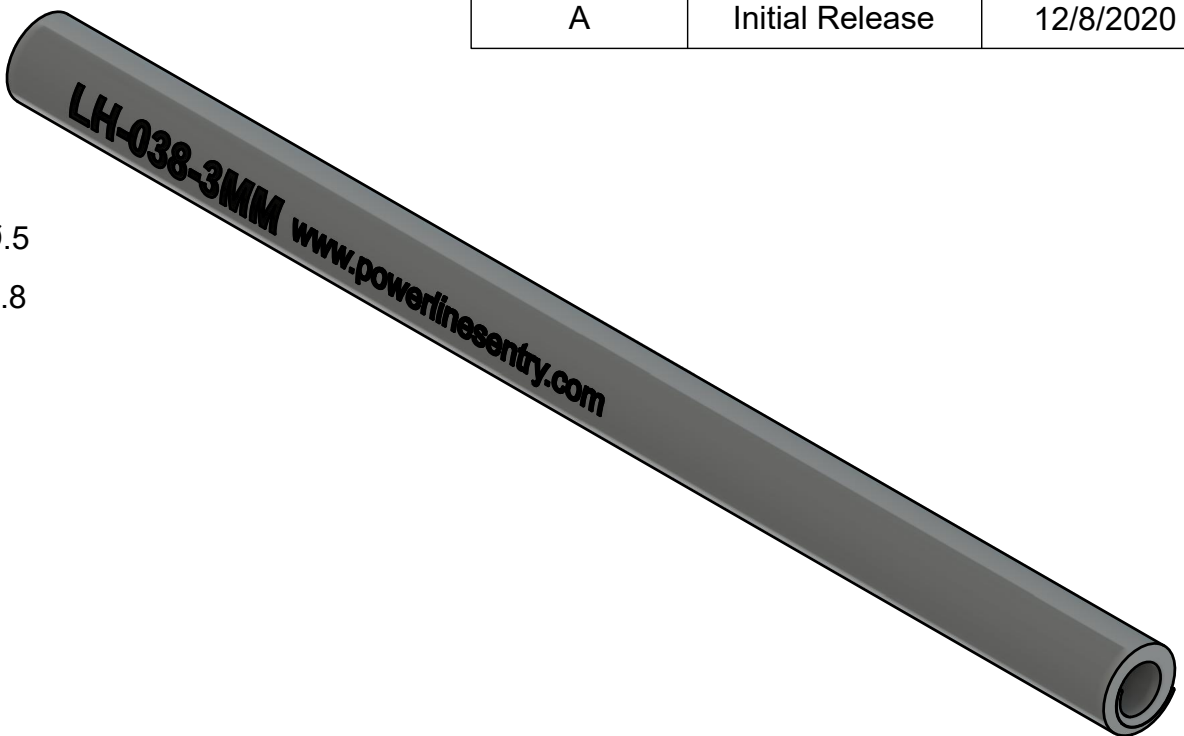
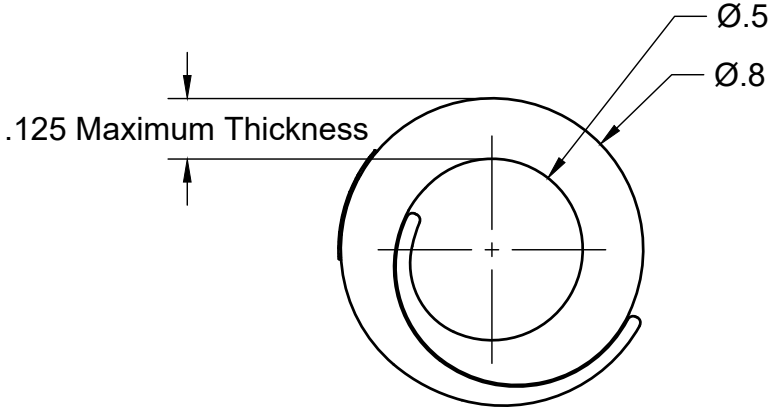


| REVISIONS | | |
|-----------|-----------------|-----------|
| REVISION | DESCRIPTION | DATE |
| A | Initial Release | 12/8/2020 |



| | | | | | | | | | | | |
|--|--|--|---|----|---|----------|---|----------|--------------|-------|--------|
| Power Line Sentry, LLC PowerLineSentry.com 8950 Pieper Road Wellington, Colorado 80549 1-970-599-1050 | | | For any unspecified dimensions, reference solid model or contact Power Line Sentry | | | | | | | | |
| | | | Revisions on this item require inspection All dimensions are in inches Tolerances if not specified: .XX +/- .01 .XXX +/- .005 .XXXX +/- .0005 Angles +/- 1 Degree | | MATERIAL DESCRIPTION Proprietary Rip-Stop FR-UV Silicone Color: Gray | | All information contained herein is the sole property of Power Line Sentry, LLC. Any reproduction of this drawing in whole or in part without the written permission of Power Line Sentry, LLC is prohibited. | | | | |
| <u>CONFIDENTIAL:</u> Property of: Power Line Sentry, LLC | | | APPROVED | KM | 12/8/2020 | SIZE | | TITLE | REV | | |
| | | | CHECKED | NM | 12/8/2020 | A | Ripstop line hose for #6-2/0 ACSR | A | | | |
| | | | DRAWN | DH | 12/8/2020 | SCALE | 2:1 | SKU | LH-038-3M-50 | SHEET | 1 of 1 |