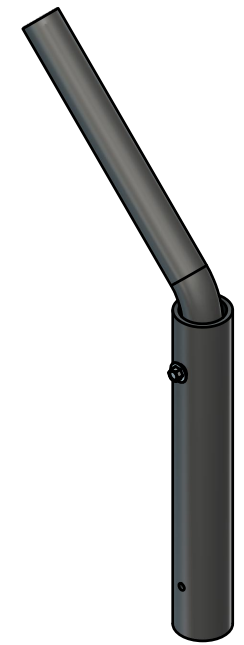
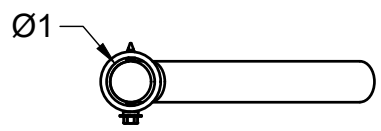
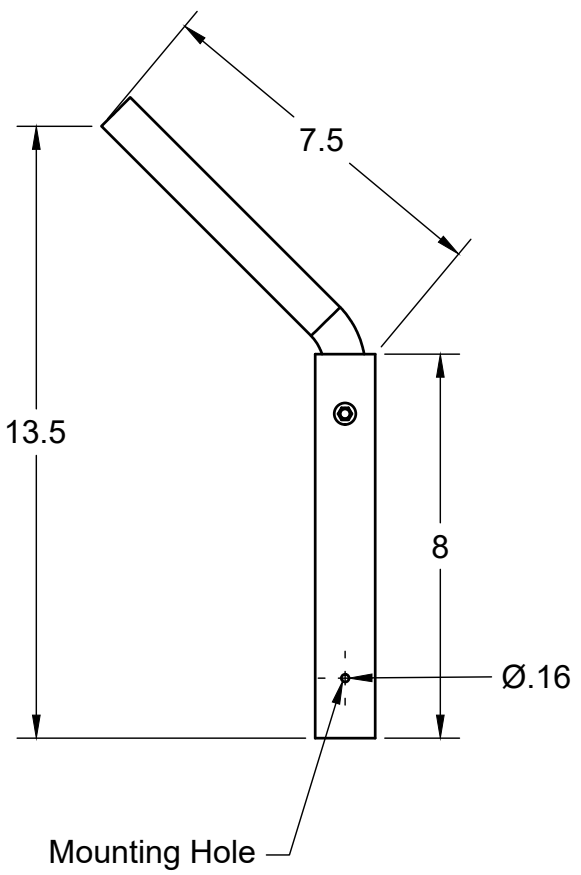


REVISIONS		
REVISION	DESCRIPTION	DATE
A	Initial Release	12/22/2020



Power Line Sentry, LLC PowerLineSentry.com 8950 Pieper Road Wellington, Colorado 80549 1-970-599-1050			For any unspecified dimensions, reference solid model or contact Power Line Sentry		
<u>CONFIDENTIAL:</u> Property of: Power Line Sentry, LLC			Revisions on this item require inspection All dimensions are in inches Tolerances if not specified: .XX +/- .01 .XXX +/- .005 .XXXX +/- .0005 Angles +/- 1 Degree	MATERIAL DESCRIPTION Proprietary FR-UV Polymer Color: Gray	
All information contained herein is the sole property of Power Line Sentry, LLC. Any reproduction of this drawing in whole or in part without the written permission of Power Line Sentry, LLC is prohibited.			APPROVED CHECKED DRAWN	KM DH NM	12/22/2020 12/22/2020 12/22/2020
SIZE A		TITLE 10" raptor guard extension to extend RGSO-36 coverage			REV A
SCALE 1:4		SKU RGEX		SHEET 1 of 1	