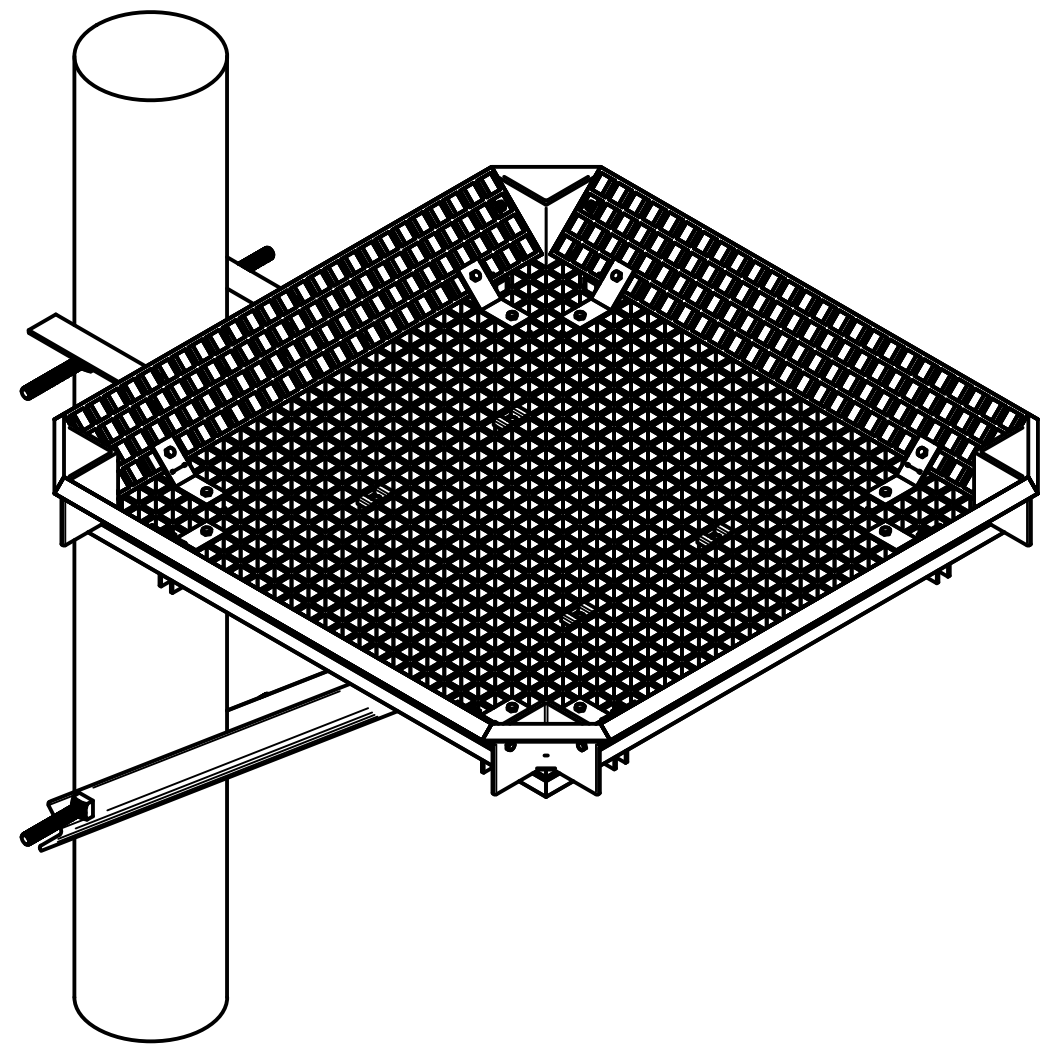


REVISIONS		
REVISION	DESCRIPTION	DATE
B	Hardware Update	3/1/2022



All information contained herein is the sole property of Power Line Sentry, LLC. Any reproduction of this drawing in whole or in part without the written permission of Power line Sentry, LLC is prohibited.

For any unspecified dimensions, reference solid model or contact Power Line Sentry, LLC				
Do Not Scale Drawing	Drawn By: DH 8/30/2022	Power Line Sentry, LLC 8950 Pieper Road, Wellington, Colorado 80549 1-970-599-1050		
Revisions on this item require inspection	Checked By: NM 8/30/2022			
	Approved By: KM 8/30/2022			
	DEPT: R&D	Title: 42" Nest Platform & Pole Attachment		
All dimensions are in inches Tolerances if not specified: .XX +/- .01 .XXX +/- .005 .XXXX +/- .0005 Angles +/- 1 Degree		CONFIDENTIAL Property of: Power Line Sentry, LLC	Size: A3 SKU: RGNP-42-A Scale 1:10	Rev: B Sheet 1 of 1