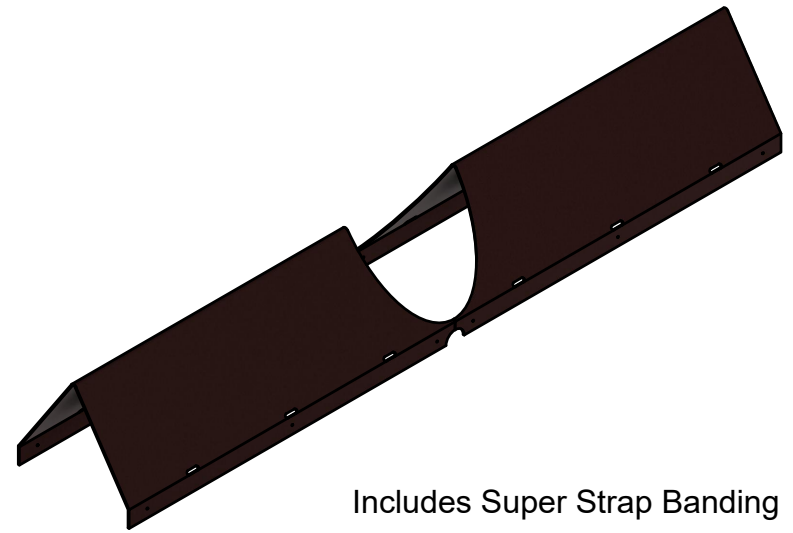
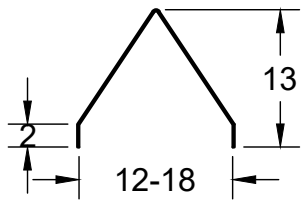
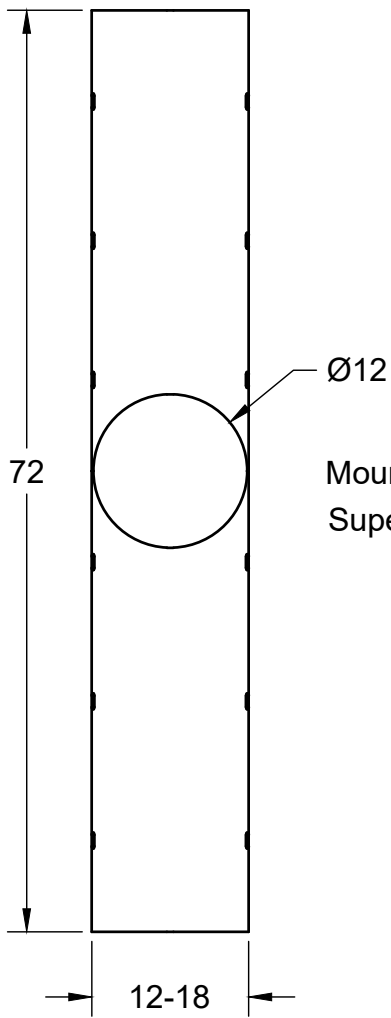




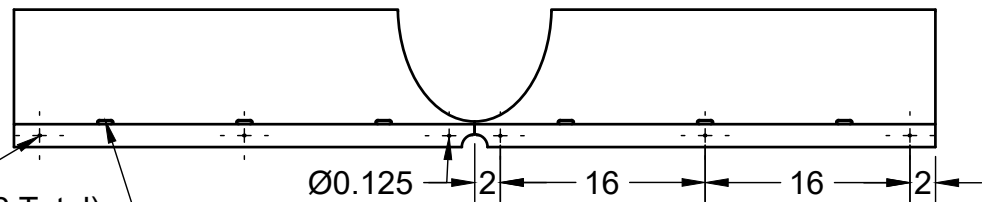
REVISIONS		
REVISION	DESCRIPTION	DATE
A	Initial Release	12/9/2020



Includes Super Strap Banding



Mounting Location (12 Places)
Super Strap Banding Location (12 Total)



Power Line Sentry, LLC PowerLineSentry.com 8950 Pieper Road Wellington, Colorado 80549 1-970-599-1050			For any unspecified dimensions, reference solid model or contact Power Line Sentry					
			Revisions on this item require inspection All dimensions are in inches Tolerances if not specified: .XX +/- .01 .XXX +/- .005 .XXXX +/- .0005 Angles +/- 1 Degree		MATERIAL DESCRIPTION Proprietary UV Polymer Color: Brown All information contained herein is the sole property of Power Line Sentry, LLC. Any reproduction of this drawing in whole or in part without the written permission of Power Line Sentry, LLC is prohibited.			
<u>CONFIDENTIAL:</u> Property of: Power Line Sentry, LLC			APPROVED	KM	12/9/2020	SIZE TITLE A Set of two 36" nest diverters with pole cutouts and super strap banding	REV A	
			CHECKED	DH	12/9/2020			
			DRAWN	NM	12/9/2020			
			SCALE	1:1	SKU	RGNS-36-K-SS	SHEET	1 of 1

