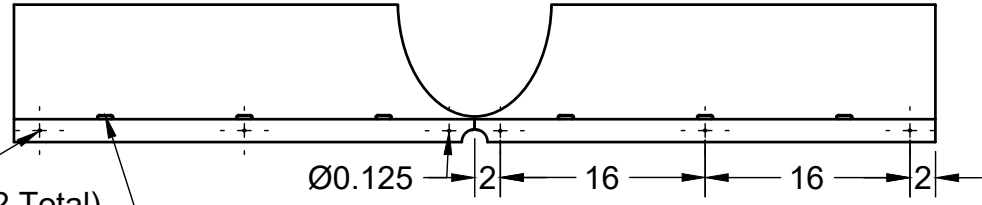
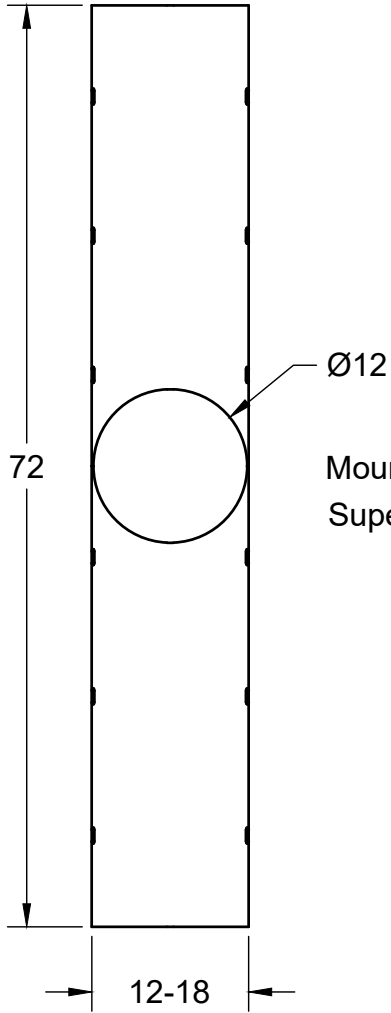
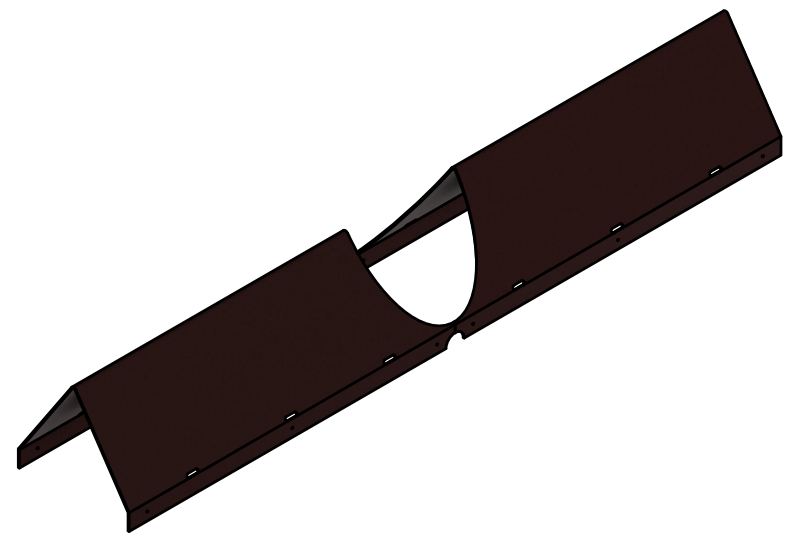
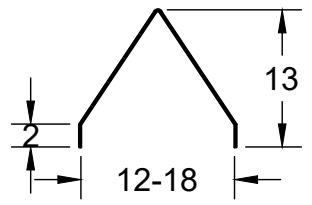


REVISIONS		
REVISION	DESCRIPTION	DATE
A	Initial Release	12/9/2020



Mounting Location (12 Places)
Super Strap Banding Location (12 Total)

Power Line Sentry, LLC PowerLineSentry.com 8950 Pieper Road Wellington, Colorado 80549 1-970-599-1050			For any unspecified dimensions, reference solid model or contact Power Line Sentry					
			Revisions on this item require inspection All dimensions are in inches Tolerances if not specified: .XX +/- .01 .XXX +/- .005 .XXXX +/- .0005 Angles +/- 1 Degree		MATERIAL DESCRIPTION Proprietary UV Polymer Color: Brown		All information contained herein is the sole property of Power Line Sentry, LLC. Any reproduction of this drawing in whole or in part without the written permission of Power Line Sentry, LLC is prohibited.	
<u>CONFIDENTIAL:</u> Property of: Power Line Sentry, LLC			SIZE TITLE A Set of two "36 nest diverters with pole cutouts		REV A			
APPROVED	KM	12/9/2020	SCALE	1:15	SKU	RGNS-36-K		SHEET
CHECKED	DH	12/9/2020						
DRAWN	NM	12/9/2020						