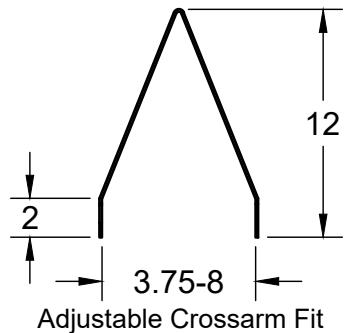
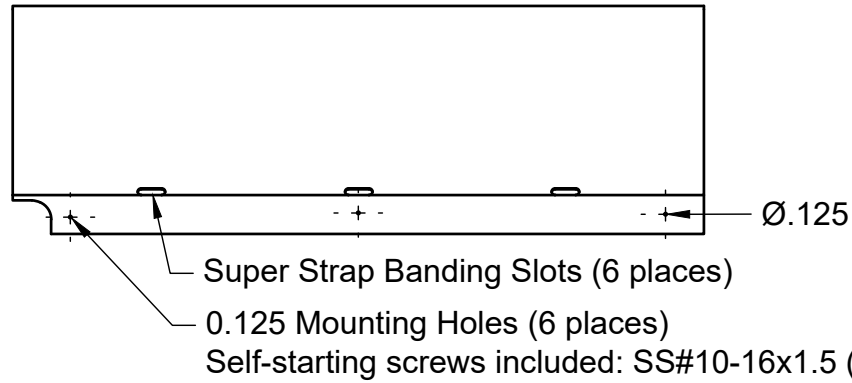
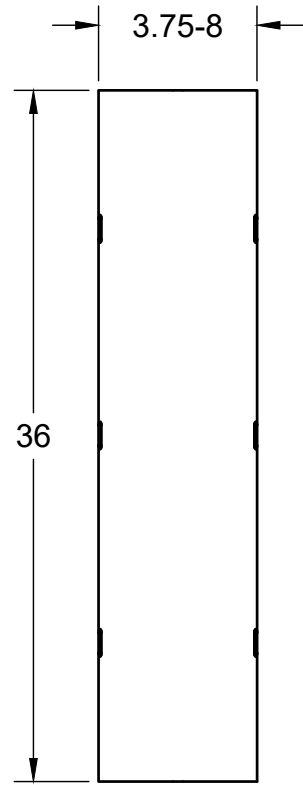


REVISIONS		
REVISION	DESCRIPTION	DATE
A	Initial Release	12/21/2020



<b>Power Line Sentry, LLC</b> PowerLineSentry.com 8950 Pieper Road Wellington, Colorado 80549 1-970-599-1050			For any unspecified dimensions, reference solid model or contact Power Line Sentry		
			Revisions on this item require inspection All dimensions are in inches Tolerances if not specified: .XX +/- .01 .XXX +/- .005 .XXXX +/- .0005 Angles +/- 1 Degree	<b>MATERIAL DESCRIPTION</b> Proprietary UV Polymer Color: Brown	
<u>CONFIDENTIAL:</u> Property of: <b>Power Line Sentry, LLC</b>			All information contained herein is the sole property of Power Line Sentry, LLC. Any reproduction of this drawing in whole or in part without the written permission of Power Line Sentry, LLC is prohibited.		
APPROVED	KM	12/21/2020	SIZE	TITLE	REV
CHECKED	DH	12/21/2020	<b>A</b>	36" nest diverter for single cross arms with pole cutout	<b>A</b>
DRAWN	NM	12/21/2020	SCALE	1:1	SKU RGNS-36-S
			SHEET	1 of 1	