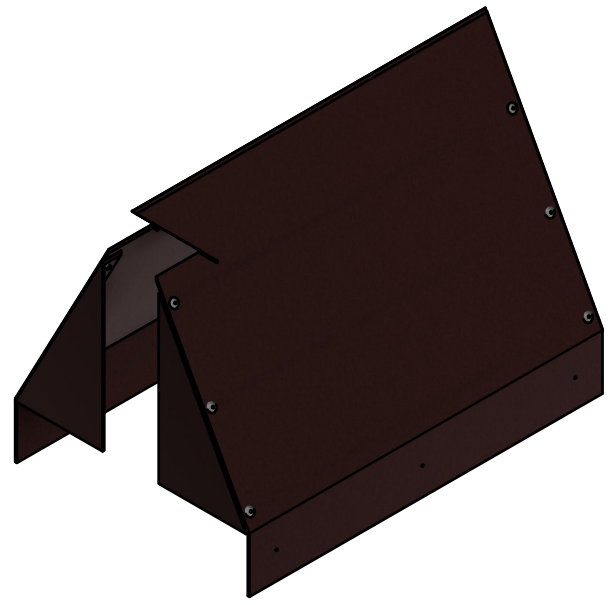
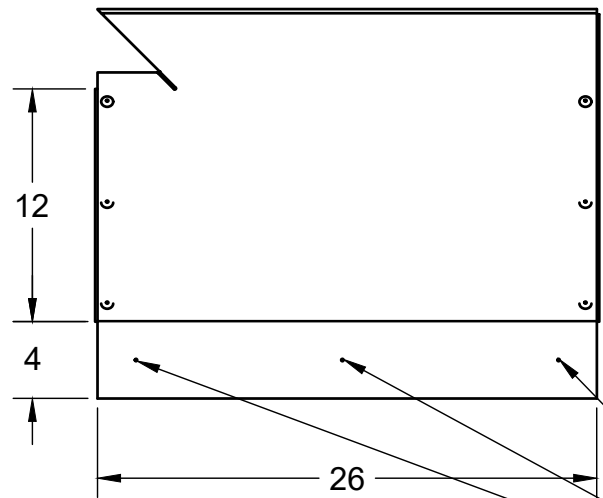
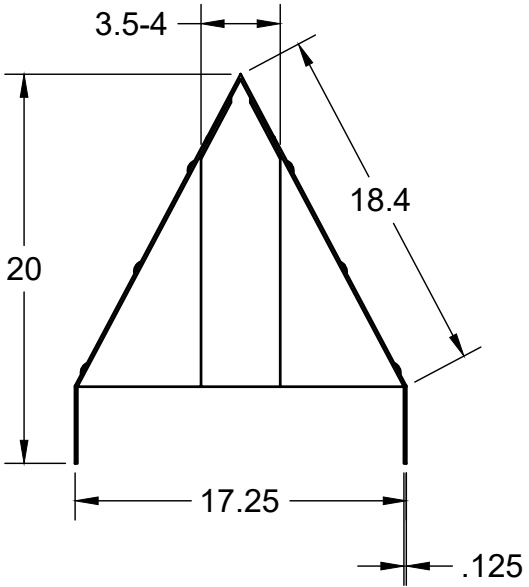




REVISIONS		
REVISION	DESCRIPTION	DATE
A	Initial Release	1/6/2021



0.125 Attachment Points (x6)

<b>Power Line Sentry, LLC</b> PowerLineSentry.com 8950 Pieper Road Wellington, Colorado 80549 1-970-599-1050			For any unspecified dimensions, reference solid model or contact Power Line Sentry								
			Revisions on this item require inspection All dimensions are in inches Tolerances if not specified: .XX +/- .01 .XXX +/- .005 .XXXX +/- .0005 Angles +/- 1 Degree		<b>MATERIAL DESCRIPTION</b> Proprietary UV Polymer Color: Brown		All information contained herein is the sole property of Power Line Sentry, LLC. Any reproduction of this drawing in whole or in part without the written permission of Power Line Sentry, LLC is prohibited.				
<u>CONFIDENTIAL:</u> Property of: <b>Power Line Sentry, LLC</b>			APPROVED	KM	1/6/2021	SIZE		TITLE	REV		
			CHECKED	NM	1/6/2021	<b>A</b>	40" nest diverter for ends of H-Frame cross arms	<b>A</b>			
			DRAWN	DH	1/6/2021	SCALE	1:10	SKU	RGNS-40-EC	SHEET	1 of 1

