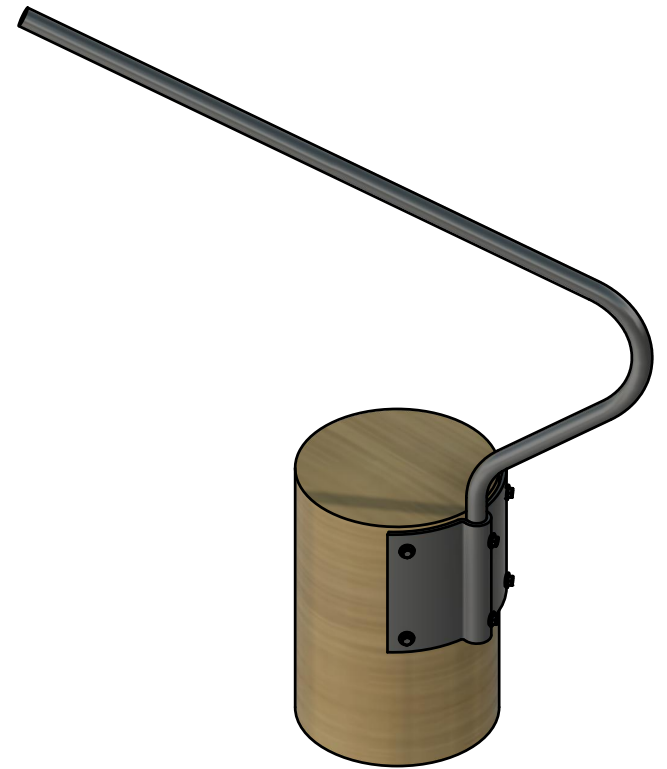
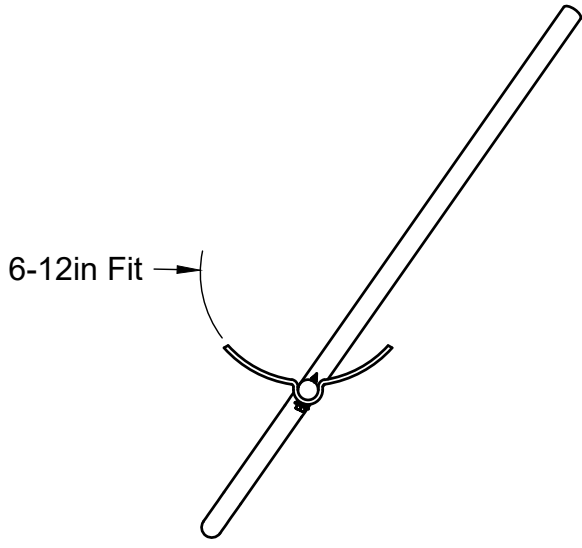
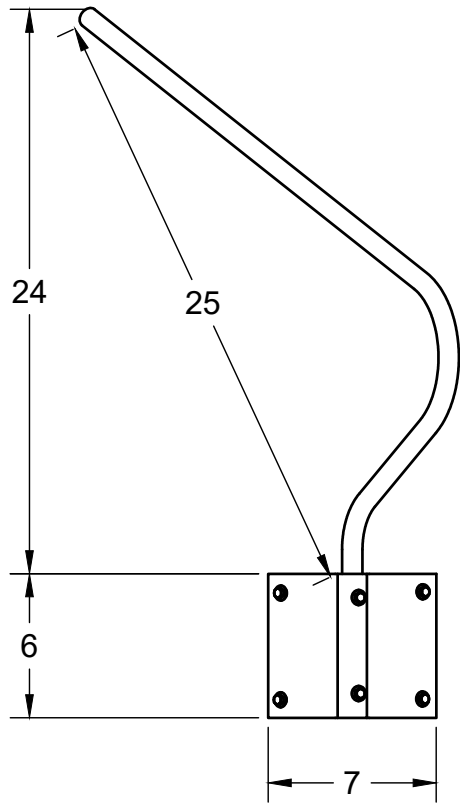


REVISIONS		
REVISION	DESCRIPTION	DATE
A	Initial Release	12/22/2020



<b>Power Line Sentry, LLC</b> PowerLineSentry.com 8950 Pieper Road Wellington, Colorado 80549 1-970-599-1050			For any unspecified dimensions, reference solid model or contact Power Line Sentry		
<u>CONFIDENTIAL:</u> Property of: <b>Power Line Sentry, LLC</b>			Revisions on this item require inspection All dimensions are in inches Tolerances if not specified: .XX +/- .01 .XXX +/- .005 .XXXX +/- .0005 Angles +/- 1 Degree	<b>MATERIAL DESCRIPTION</b> Proprietary FR-UV Polymer Color: Gray	
APPROVED    KM    12/22/2020			<b>SIZE</b> TITLE	<b>REV</b>	
CHECKED    DH    12/22/2020			<b>A</b> Pole Top Raptor Guard	<b>A</b>	
DRAWN    NM    12/22/2020			SCALE    1:8	SKU    RGPT	SHEET    1 of 1

All information contained herein is the sole property of Power Line Sentry, LLC. Any reproduction of this drawing in whole or in part without the written permission of Power Line Sentry, LLC is prohibited.