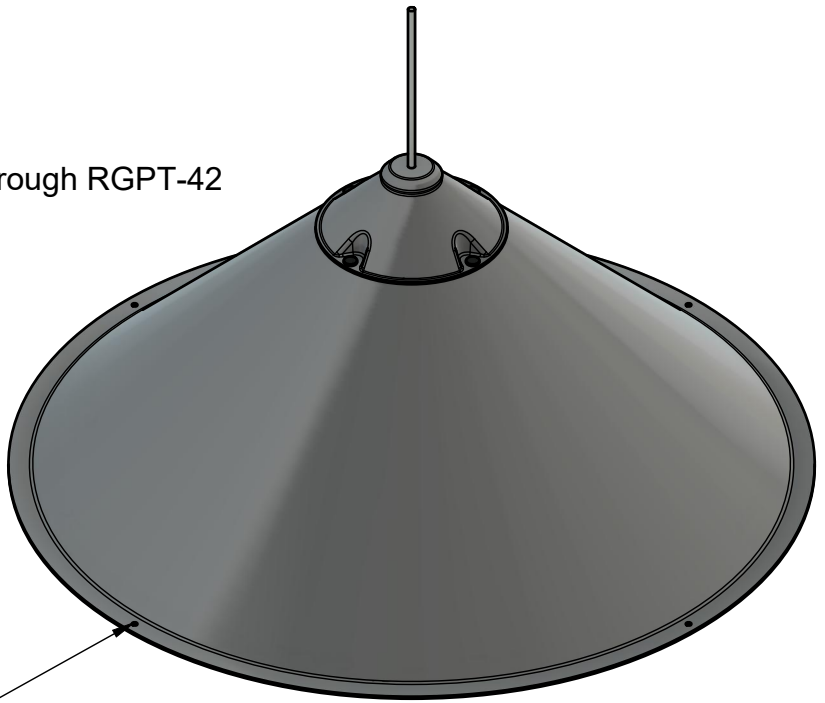
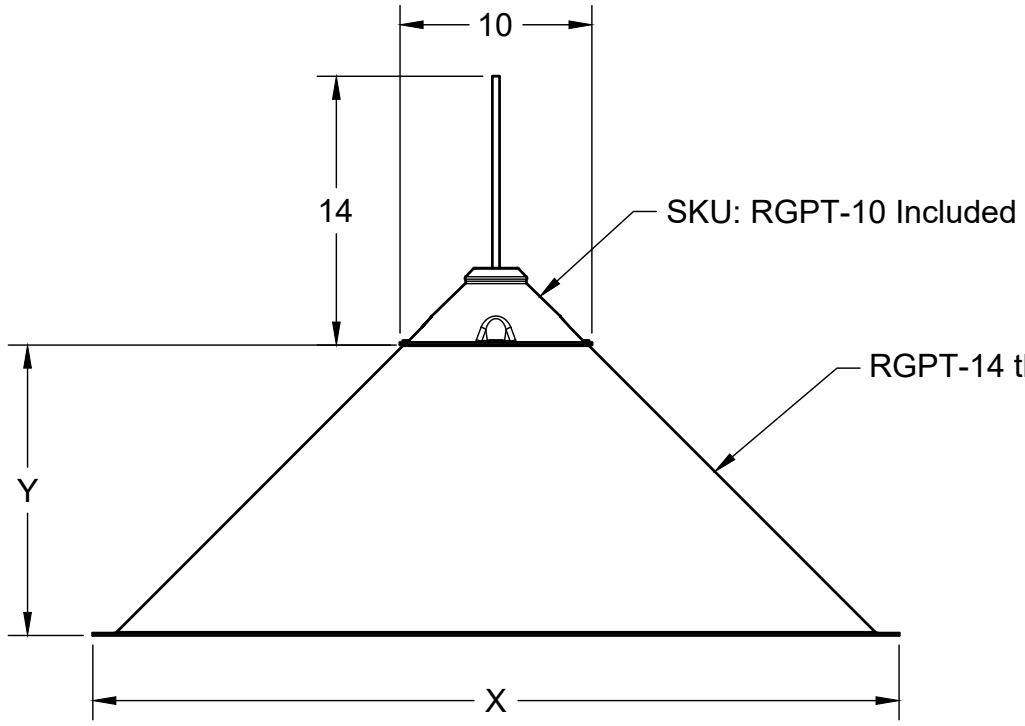


REVISIONS		
REVISION	DESCRIPTION	DATE
A	Initial Release	12/21/2020



(x4) Mounting Holes

**RGPT-XX where XX is the part number*

Part Number	X	Y
RGPT-14	14in	1.625in
RGPT-16	16in	2.375in
RGPT-18	18in	3.875in
RGPT-20	20in	4.625in
RGPT-22	22in	5.375in
RGPT-24	24in	6.875in
RGPT-26	26in	7.625in
RGPT-28	28in	8.375in
RGPT-30	30in	9.125in
RGPT-32	32in	10.625in
RGPT-34	34in	11.375in
RGPT-36	36in	12.125in
RGPT-38	38in	12.875in
RGPT-40	40in	13.625in
RGPT-42	42in	14.375in

Power Line Sentry, LLC
 PowerLineSentry.com
 8950 Pieper Road
 Wellington, Colorado 80549
 1-970-599-1050

CONFIDENTIAL:
 Property of:
Power Line Sentry, LLC

For any unspecified dimensions, reference solid model or contact Power Line Sentry

Revisions on this item require inspection All dimensions are in inches Tolerances if not specified: .XX +/- .01 .XXX +/- .005 .XXXX +/- .0005 Angles +/- 1 Degree	MATERIAL DESCRIPTION Proprietary FR-UV Polymer Color: Gray
All information contained herein is the sole property of Power Line Sentry, LLC. Any reproduction of this drawing in whole or in part without the written permission of Power Line Sentry, LLC is prohibited.	

APPROVED	KM	12/21/2020	SIZE	TITLE	REV
CHECKED	NM	12/21/2020	A	Pole Top Cap RGPT-14 to RGPT-42	A
DRAWN	DH	12/21/2020	SCALE	1:10	SKU RGPT-XX
			SHEET	1 of 1	