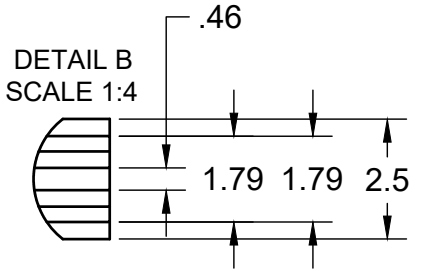
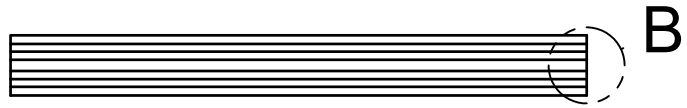
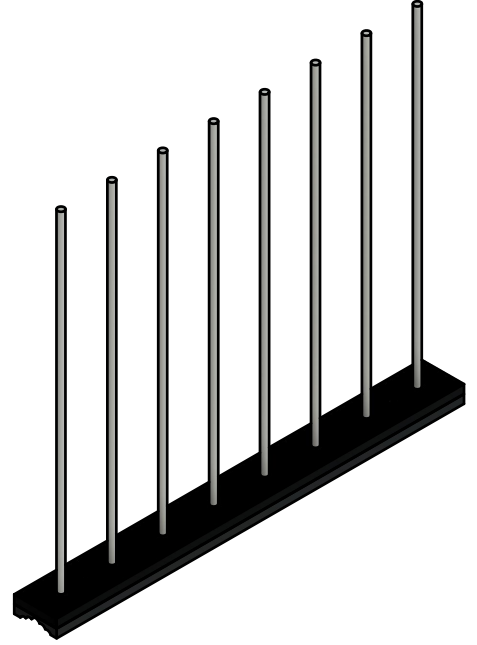
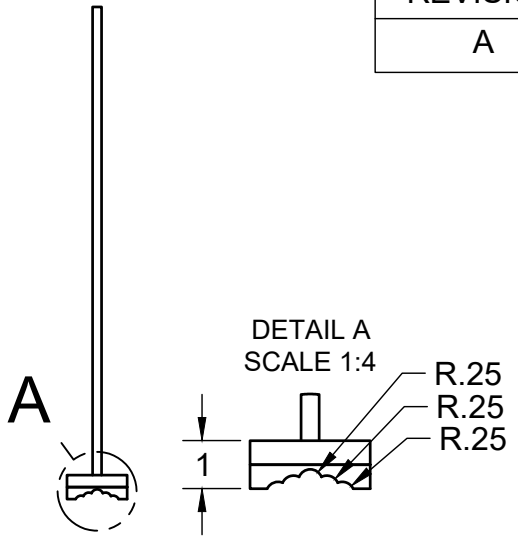
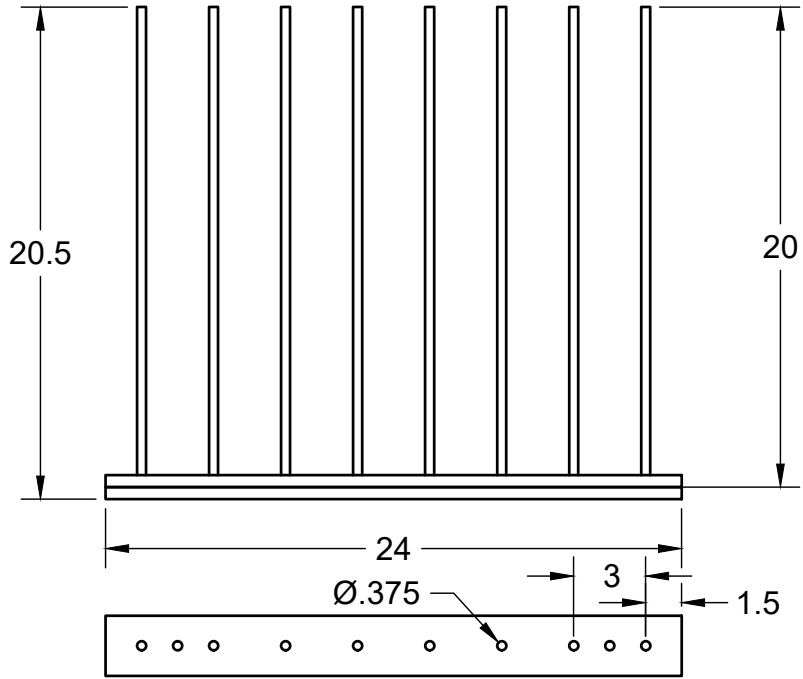


REVISIONS		
REVISION	DESCRIPTION	DATE
A	Initial Release	1/4/2021



Power Line Sentry, LLC
 PowerLineSentry.com
 8950 Pieper Road
 Wellington, Colorado 80549
 1-970-599-1050

CONFIDENTIAL:
 Property of:
Power Line Sentry, LLC

For any unspecified dimensions, reference solid model or contact Power Line Sentry

Revisions on this item require inspection
 All dimensions are in inches
 Tolerances if not specified:
 .XX +/- .01
 .XXX +/- .005
 .XXXX +/- .0005
 Angles +/- 1 Degree

MATERIAL DESCRIPTION
 Proprietary UV Polymer Base and FR-UV Glass Fiber Spikes Color: Black and Gray

All information contained herein is the sole property of Power Line Sentry, LLC. Any reproduction of this drawing in whole or in part without the written permission of Power Line Sentry, LLC is prohibited.

APPROVED	KM	1/4/2021
CHECKED	NM	1/4/2021
DRAWN	DH	1/4/2021

SIZE	TITLE	REV
A	24" spike strip (davit mount)	A
SCALE 1:8	SKU RGSP-24A	SHEET 1 of 1