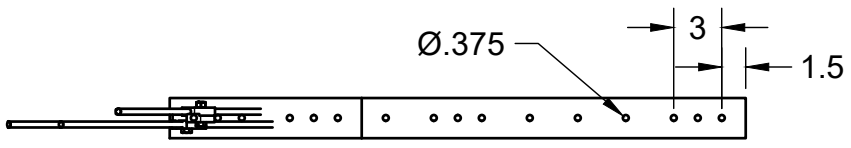
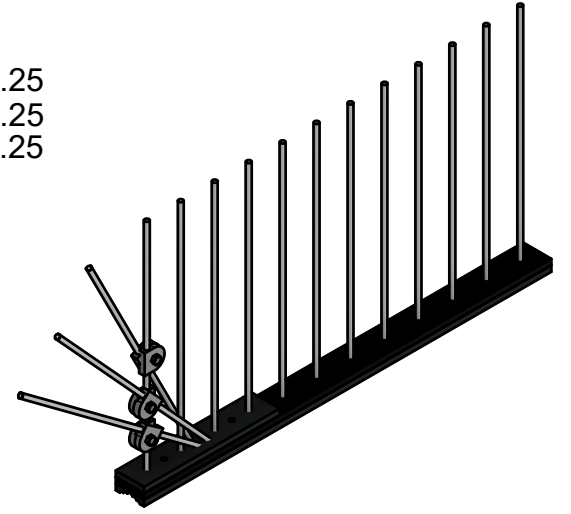
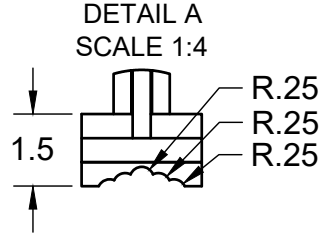
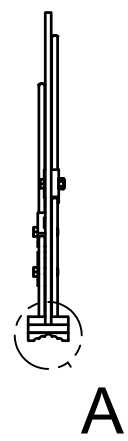
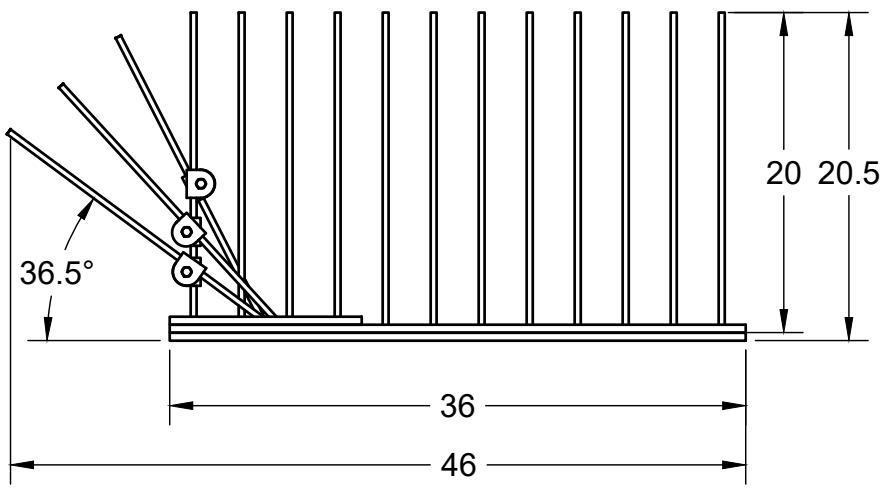
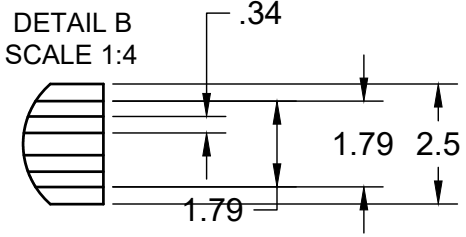


REVISIONS		
REVISION	DESCRIPTION	DATE
A	Initial Release	1/4/2021



**B**



<b>Power Line Sentry, LLC</b> PowerLineSentry.com 8950 Pieper Road Wellington, Colorado 80549 1-970-599-1050			For any unspecified dimensions, reference solid model or contact Power Line Sentry		
			Revisions on this item require inspection All dimensions are in inches Tolerances if not specified: .XX +/- .01 .XXX +/- .005 .XXXX +/- .0005 Angles +/- 1 Degree	<b>MATERIAL DESCRIPTION</b> Proprietary UV Polymer Base and FR-UV Glass Fiber Spikes Color: Black and Gray	
<b>CONFIDENTIAL:</b> Property of: <b>Power Line Sentry, LLC</b>			APPROVED KM 1/4/2021 CHECKED NM 1/4/2021 DRAWN DH 1/4/2021	SIZE TITLE <b>A</b> 36" spike strip with additional angled spikes for 46" coverage (davit mount)	REV <b>A</b>
SCALE	1:12	SKU	RGSP-36A-EC	SHEET	1 of 1