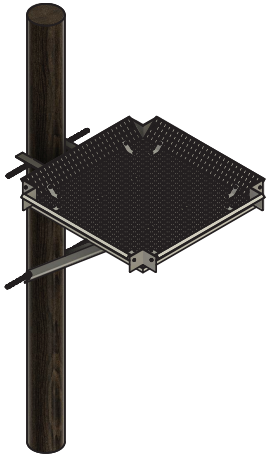


NEST PLATFORM INSTALLATION INSTRUCTIONS

RGNP-42-A

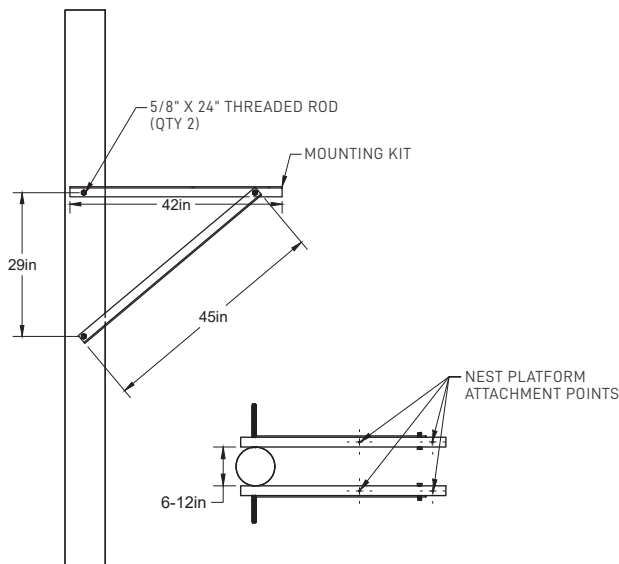


SUPPLIES

- Nest platform
- Mounting kit braces
- 2x 3" x 5/8" galvanized bolts
- 2x 24" x 5/8" galvanized all thread rods
- 10x 5/8" nuts
- 4x 1/4" bolts/nuts
- 4x U-channel brackets

INSTRUCTIONS

FIGURE 1



Step 1

Drill 2 holes in pole, vertically spaced 29" apart and large enough to accept 5/8" x 24" galvanized all thread rods.

Step 2

Use 1/4" bolts to install braces to nest platform.

Step 3

Use all thread rods to install braces onto pole.

FIGURE 2

