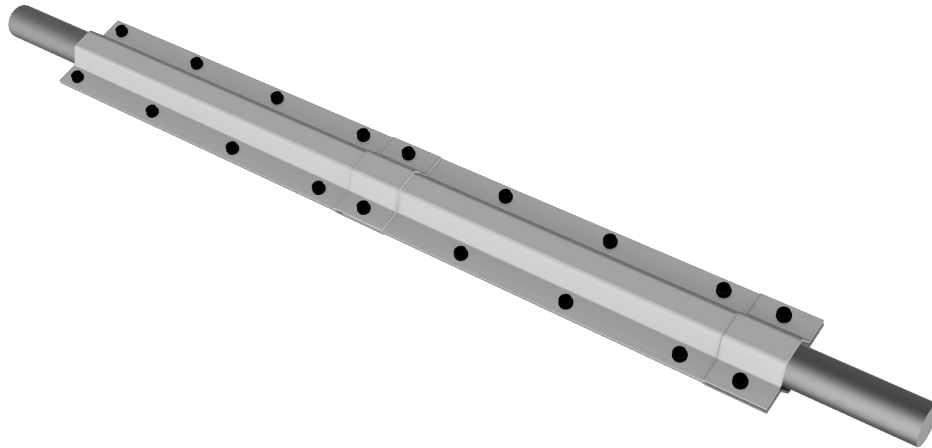


These insulating covers mitigate the risk of electrical contact in substation bus work areas where minimal clearances present a high contact hazard.



Insulates pipe bus bars to provide phase-to-phase and phase-to-ground protection

Modular design allows for any length of coverage

Designed for 2" (5.1 cm), 3" (7.6 cm), and 4" (10.2 cm) bars/pipes

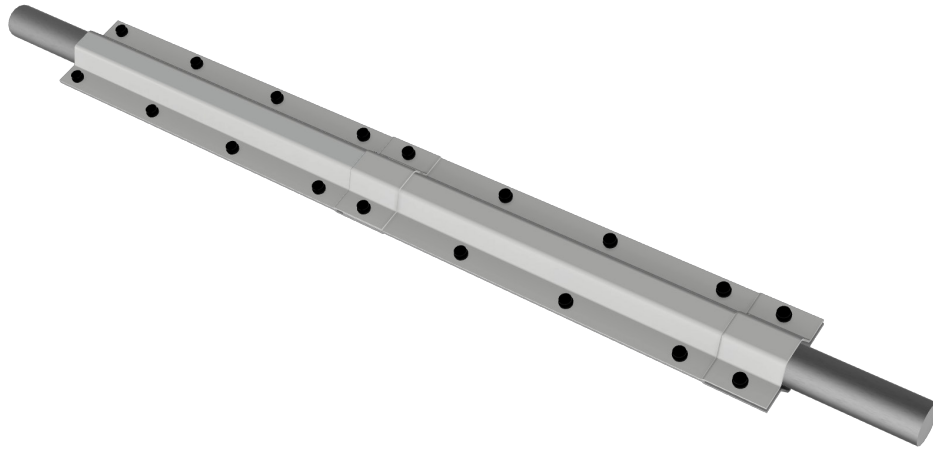
Easy to install

Best practice includes retention via insulating fusing tape (FTP-200)

UV resistant/weather resistant material is engineered to maintain performance in harsh/extreme conditions for the longevity

UL 94 V-0 flame retardant design





SKU	Length	Diameter
BB-R-200	39" (99 cm)	2" (5.1cm)
BB-R-300	39" (99 cm)	3" (7.6cm)
BB-R-400	39" (99 cm)	4" (10.2cm)

Properties

UL 94 Flammability of plastics	V-0
--------------------------------	-----

