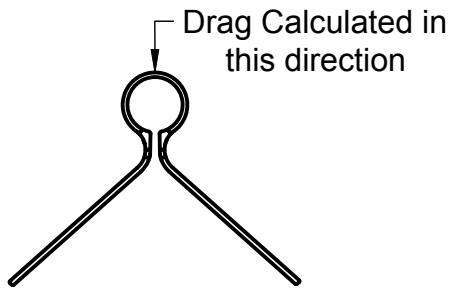


T

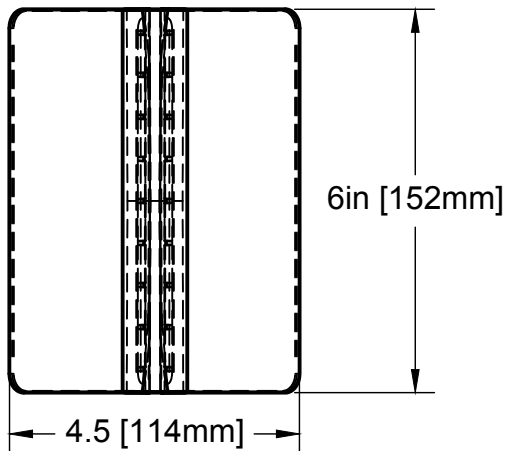


L

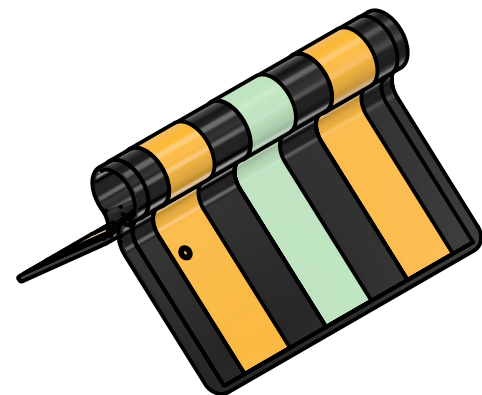
REVISIONS		
REVISION	DESCRIPTION	DATE
A	Initial Release	11/14/2022
B	PLS-CADD Data	12/12/2022
C	Marker Ball Diameter	2/3/2023
D	Added Wind & Ice Area	2/22/24

BFD-050 Technical Specifications

Wgt (oz)	4.19 [.11879kg]
L area (ft ²)	.0066 [613mm ²]
V area (ft ²)	.187 [17373mm ²]
T area (ft ²)	.137 [12728mm ²]



V



PLS-CADD Load Data

Vertical (lb)	0.26 [1.156N]
Marker Ball Diameter (in)	4 [101.6mm]
Drag Coefficient	1.12
Wind Area (ft ²)	.187 [17373mm ²]
Ice Area (ft ²)	.360 [33445mm ²]

Power Line Sentry, LLC

PowerLineSentry.com
8950 Pieper Road
Wellington, Colorado 80549
1-970-599-1050

CONFIDENTIAL:

Property of:
Power Line Sentry, LLC

For any unspecified dimensions, reference solid model or contact Power Line Sentry

Revisions on this item require inspection
All dimensions are in inches
Tolerances if not specified:

.XX +/- .01
.XXX +/- .005
.XXXX +/- .0005
Angles +/- 1 Degree

MATERIAL DESCRIPTION
Proprietary FR-UV Polymer Color: Black, Fluorescent Yellow Strips, and White Photoluminescent Glow Strip

All information contained herein is the sole property of Power Line Sentry, LLC. Any reproduction of this drawing in whole or in part without the written permission of Power Line Sentry, LLC is prohibited.

APPROVED	KM	11/14/2022
CHECKED	DH	11/14/2022
DRAWN	BM	11/14/2022

SIZE	TITLE	REV
A	BFD-050 Specifications for Loading Calculations	D
SCALE 1:2	SKU BFD-050	SHEET 1 of 1