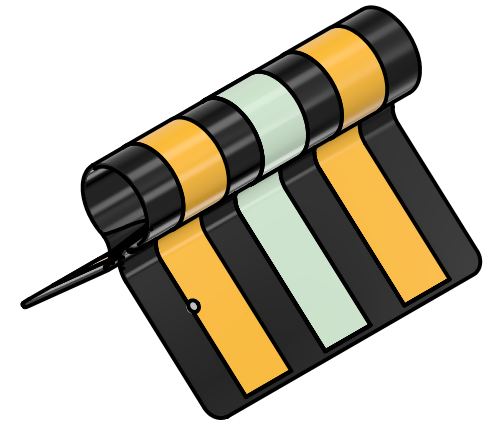
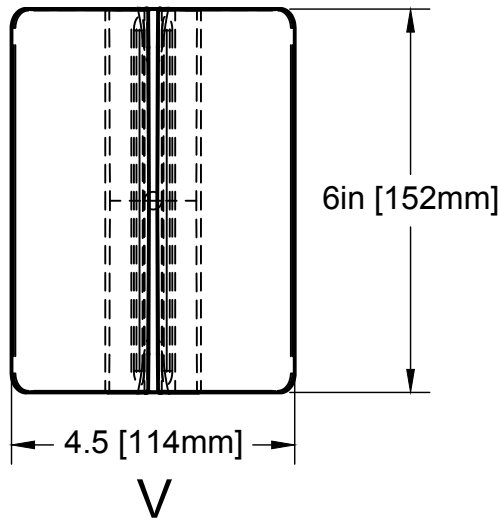


REVISIONS		
REVISION	DESCRIPTION	DATE
A	Initial Release	11/14/2022
B	PLS-CADD Data	12/12/2022
C	Marker Ball Diameter	2/3/2023
D	Added Wind & Ice Area	1/16/24

BFD-050 Technical Specifications	
Wgt (oz)	4.43 [.1256kg]
L area (ft ²)	.007 [650mm ²]
V area (ft ²)	.187 [17373mm ²]
T area (ft ²)	.156 [14493mm ²]
PLS-CADD Load Data	
Vertical (lbs)	.277 [1.232N]
Marker Ball (in)	4 [102mm]
Drag Coefficient	1.12
Wind Area (ft ²)	.187 [17373mm ²]
Ice Area (ft ²)	.365 [33910mm ²]



Power Line Sentry, LLC PowerLineSentry.com 8950 Pieper Road Wellington, Colorado 80549 1-970-599-1050			For any unspecified dimensions, reference solid model or contact Power Line Sentry					
			Revisions on this item require inspection All dimensions are in inches Tolerances if not specified: .XX +/- .01 .XXX +/- .005 .XXXX +/- .0005 Angles +/- 1 Degree	MATERIAL DESCRIPTION Proprietary FR-UV Polymer Color: Black, Fluorescent Yellow Strips, and White Photoluminescent Glow Strip All information contained herein is the sole property of Power Line Sentry, LLC. Any reproduction of this drawing in whole or in part without the written permission of Power Line Sentry, LLC is prohibited.				
<u>CONFIDENTIAL:</u> Property of: Power Line Sentry, LLC			SIZE A	TITLE BFD-075 Specifications for Loading Calculations		REV D		
APPROVED	KM	11/14/2022	SCALE	1:2	SKU	BFD-075	SHEET	1 of 1
CHECKED	DH	11/14/2022						
DRAWN	BM	11/14/2022						