



**Problem**



**Solution**

Nests pose an extreme challenge to electrical reliability. It is vital to divert nests effectively and permanently.

The solutions detailed here are widely used and accepted by utilities across North America including Exelon, Duke Power, PSEG, and National Grid.

We also offer custom nest diverters for larger structures, please inquire for more information.

**Good - This nest diverter will resolve most problems**



**Universal Nest Diverter  
Double Cross Arms**  
Part # RGNS-24-43-V

[Watch product intro video](#)  
[Watch install video](#)

Universal double cross arm nest diverter helps prevent re-nesting by Osprey, Eagles, and other raptors

- Extendable design adjusts in width to fit 6-10' cross arms
- Easy to install - screw or strap directly onto cross arms
- UL-94 rated V-0 flame retardant rating for fire safety
- Additional designs available for other structures, including:
  - Wooden single cross arm diverter # RGNS-24-48-S-V
  - FRP single cross arms diverter # RGNS-24-MS-V

**Better - Include pole top protection in addition to above**



**12" Nest Diverter  
Extension**  
Part # RGNS-12

*Short pole tops (<8" above cross arms)*

12" wide extension acts as a cover to completely protect the pole top

- Easy to install - screw or strap directly onto cross arms
- UL-94 rated V-0 flame retardant rating for fire safety

Or -



**Pole Top Cap**  
Part # RGPT-Series  
RGPT-10

*Tall pole tops (<8" above cross arms)*

Pole top cap and rod deters perching and nesting on the flat surface of the pole top

- Fiberglass blunt-tipped rod is bird-safe
- Easy to install - screw or strap directly onto the pole
- UL-94 rated V-0 flame retardant rating for fire safety

[Watch install video](#)

**Best - Insulate energized components in addition to above**



**Flexible Insulator Covers**  
Part # CC-Flex-Series

Insulator covers help prevent contact between energized areas and potential electrocution incidents

- One-piece design - no sleeve separation, no assembly
- Flexible silicone sleeves accommodate all structures
- Easy to install - snap on fitment, hotstick friendly
- UL-94 rated V-0 flame retardant rating for fire safety
- Options available for all insulators types

[Watch install video](#)

**Even better - Provide safely positioned artificial nest platform**



**Nest Platform**  
Part #RGNS-42A

An alternative nesting platform provides a safe nesting area

- Durable, fiberglass frame provides 750lb+ capacity for nesting materials

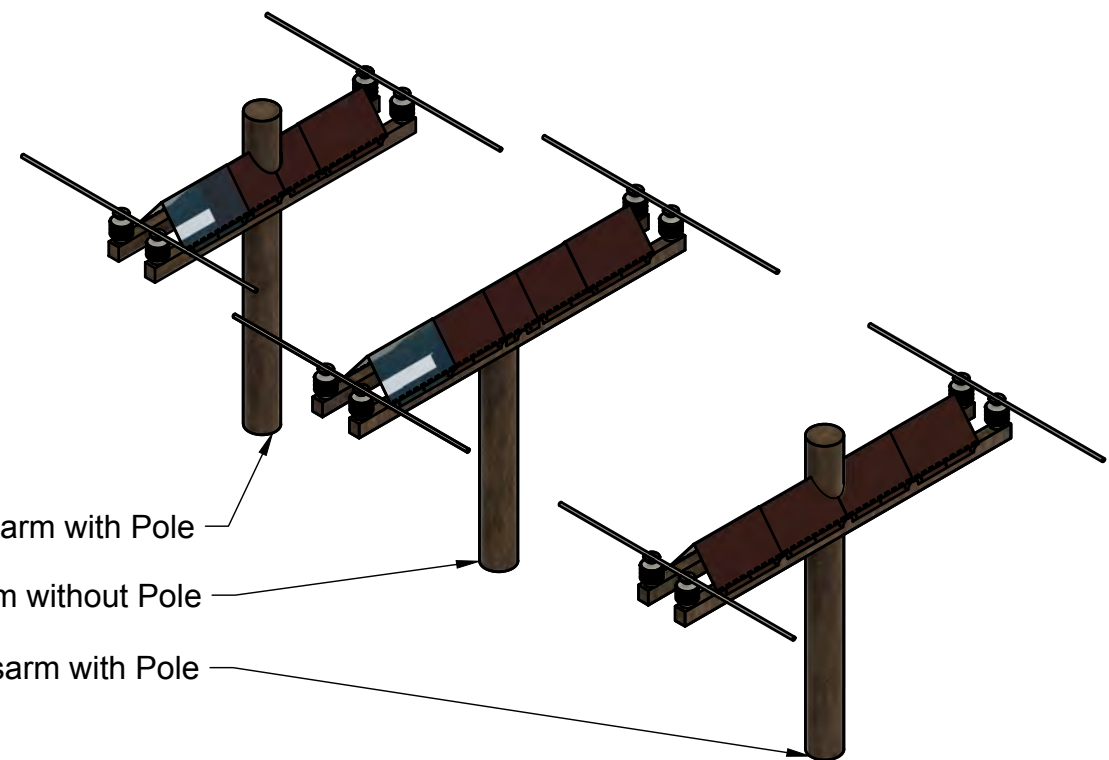
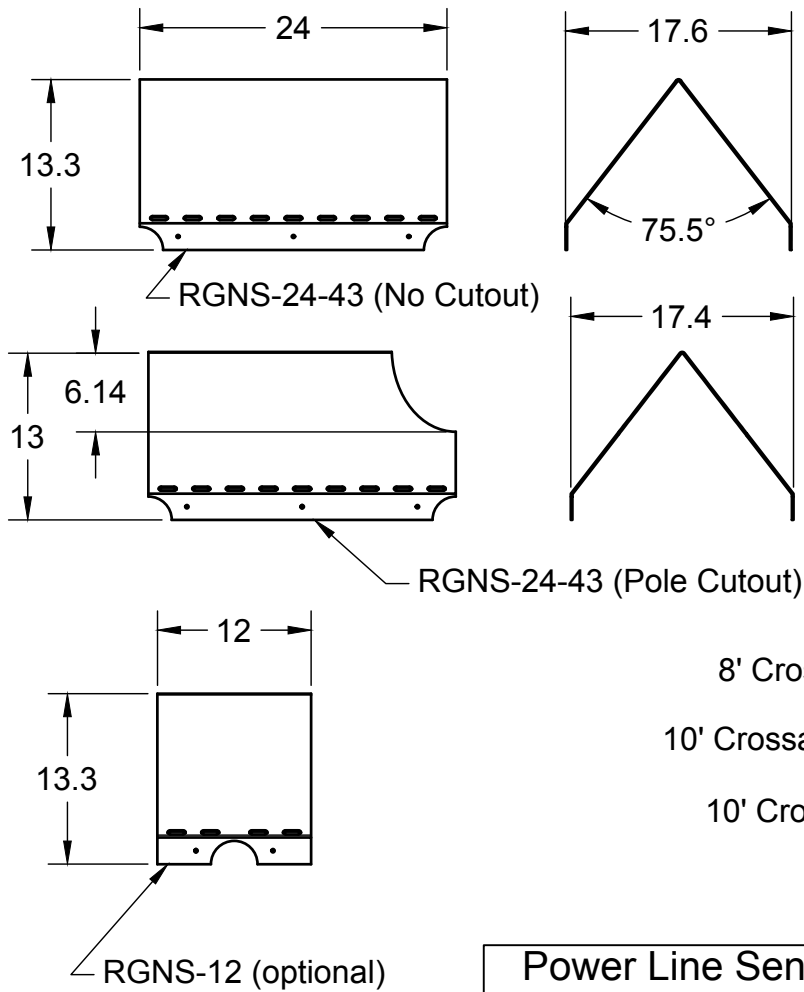
- Ideal for osprey and eagle nesting activity for multiple generations
- UL-94 rated V-0 flame retardant rating for fire safety

[Watch product intro video](#)





REVISIONS		
REVISION	DESCRIPTION	DATE
A	Initial Release	3/16/2022

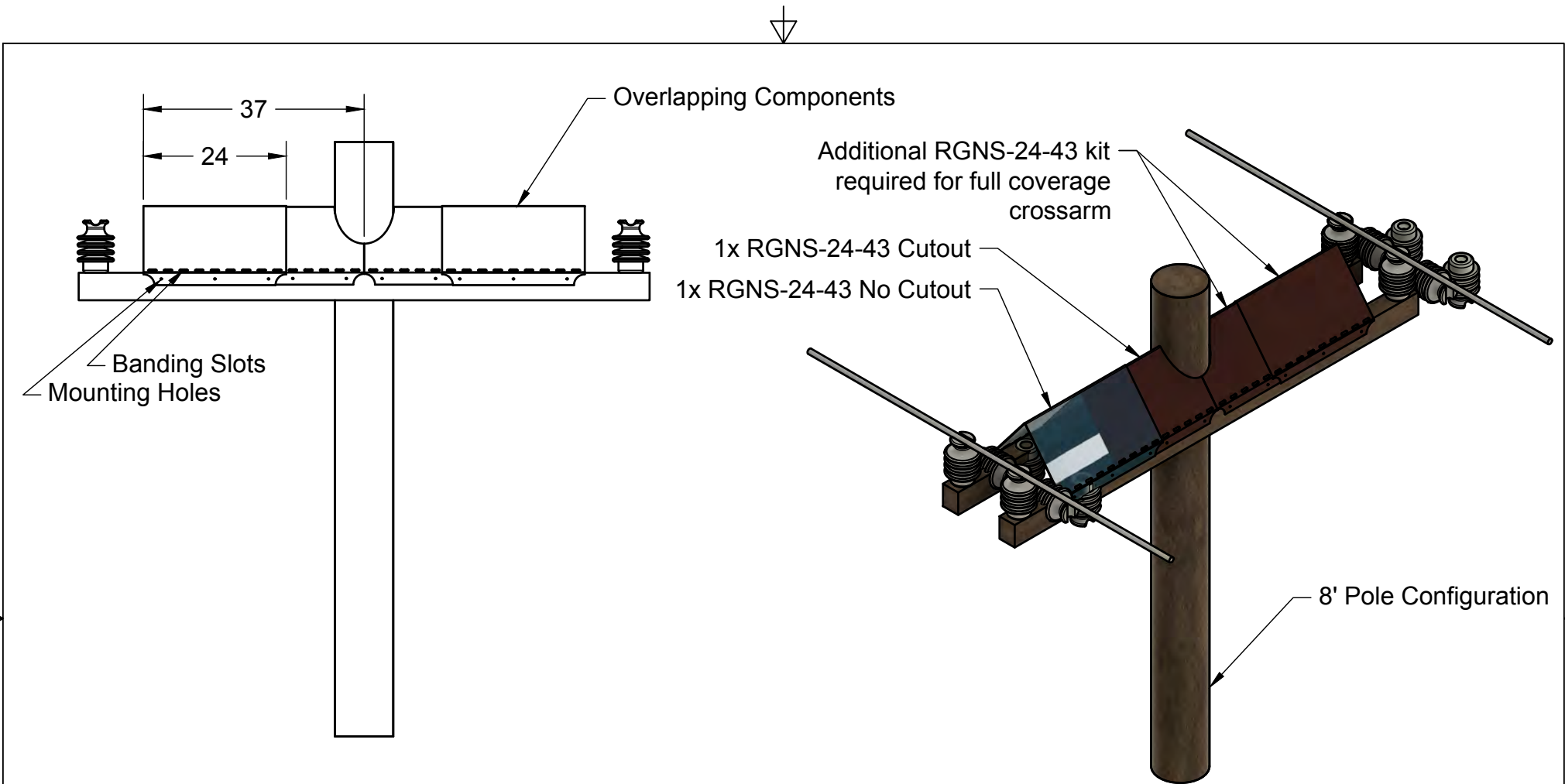


RGNS-24-43 kit includes:  
 1: RGNS-24-43 (No Cutout)  
 1: RGNS-24-43 (Pole Cutout)

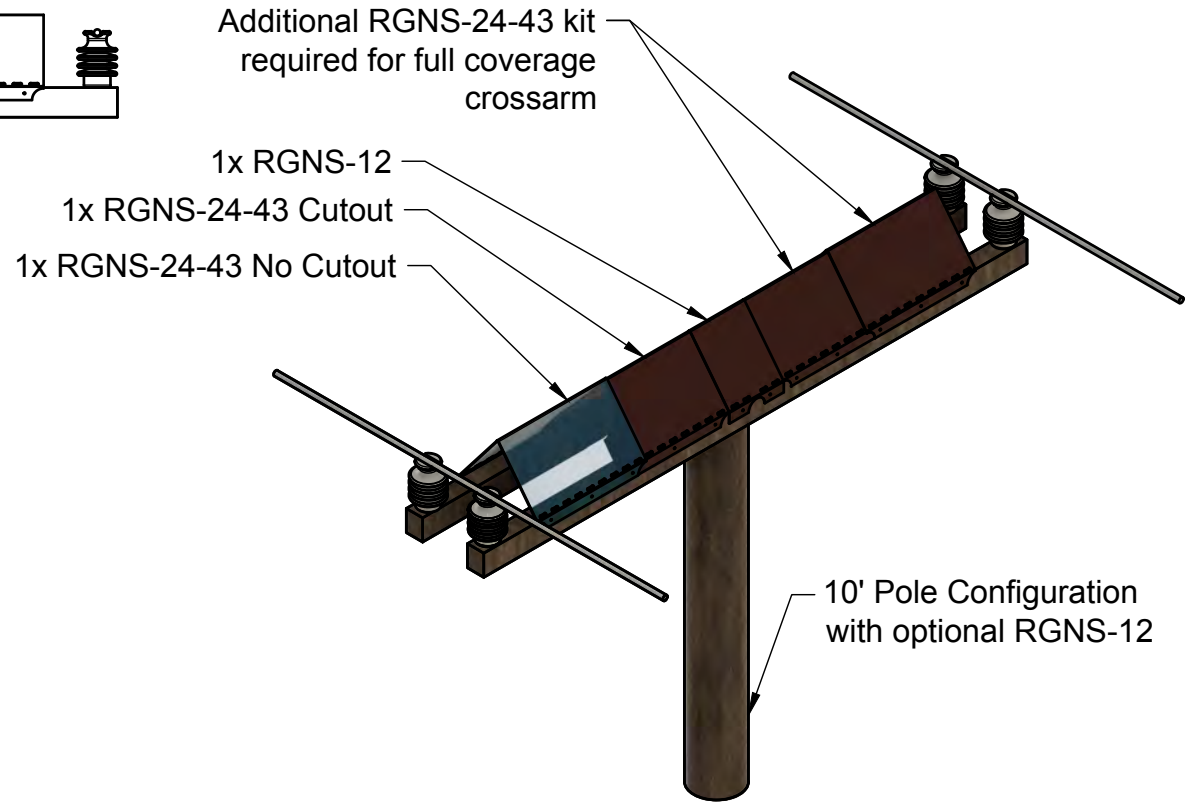
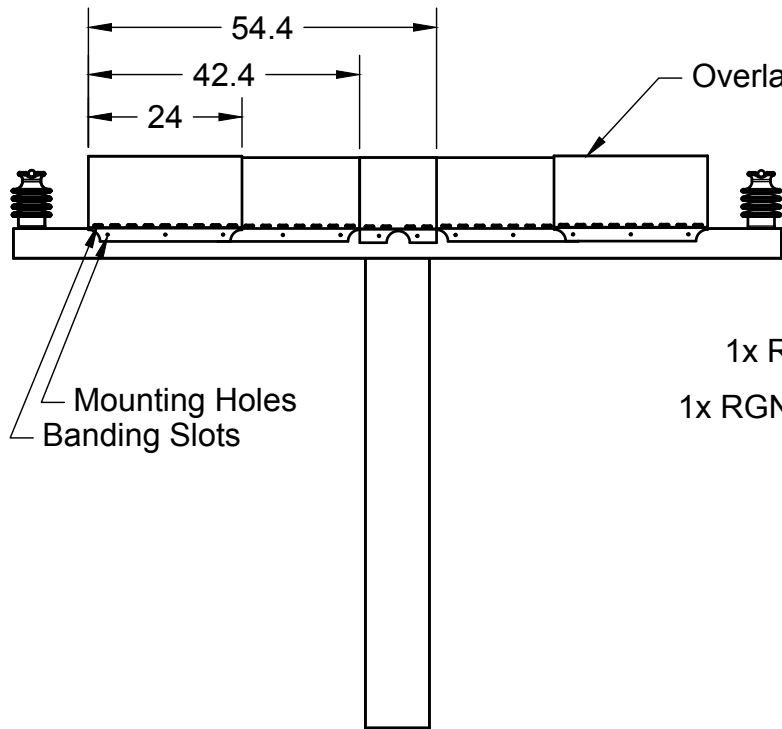
RGNS-12 is not included and must be purchased separately

<b>Power Line Sentry, LLC</b> PowerLineSentry.com 8950 Pieper Road Wellington, Colorado 80549 1-970-599-1050			For any unspecified dimensions, reference solid model or contact Power Line Sentry			
			Revisions on this item require inspection All dimensions are in inches Tolerances if not specified: .XX +/- .01 .XXX +/- .005 .XXXX +/- .0005 Angles +/- 1 Degree		<b>MATERIAL DESCRIPTION</b>  <b>Proprietary UV Polymer</b>  All information contained herein is the sole property of Power Line Sentry, LLC. Any reproduction of this drawing in whole or in part without the written permission of Power Line Sentry, LLC is prohibited.	
<u>CONFIDENTIAL:</u> Property of: <b>Power Line Sentry, LLC</b>			SIZE	TITLE		REV
APPROVED	KM	3/16/2022	<b>A</b>	24"-43" Adjustable Diverter for Double Crossarms		<b>A</b>
CHECKED	BM	3/16/2022	SCALE	1:50	SKU	RGNS-24-43
DRAWN	DH	3/16/2022	SHEET	1 of 1		

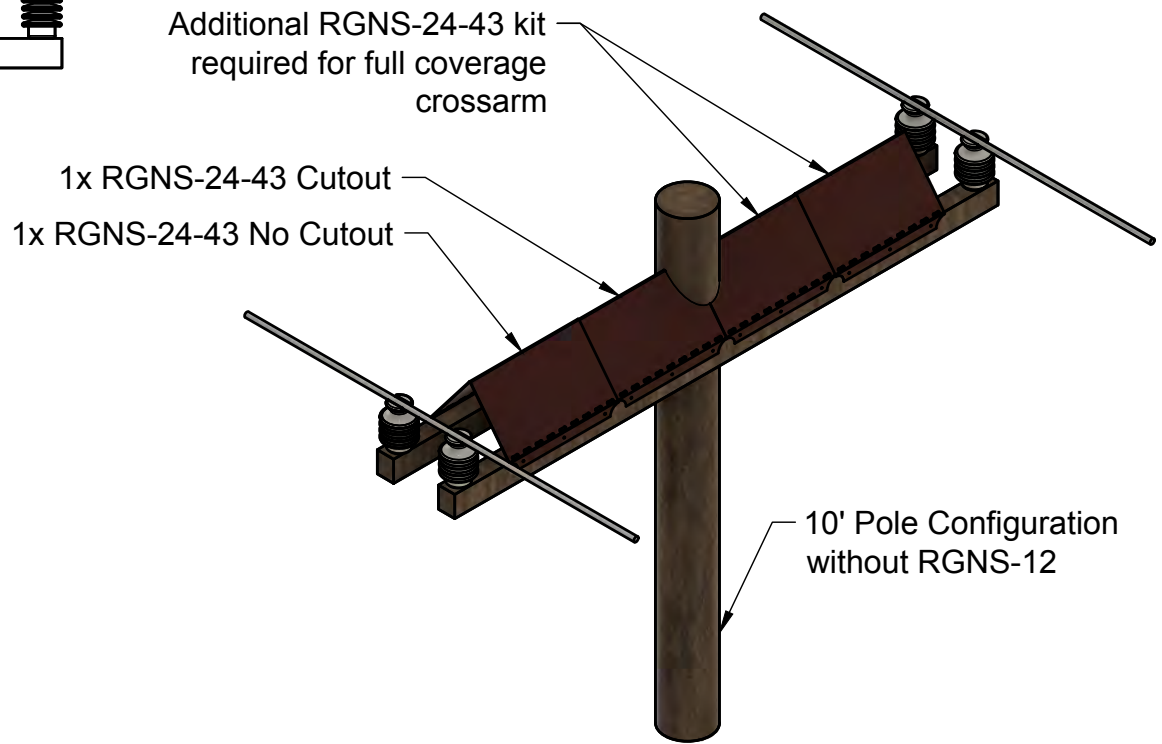
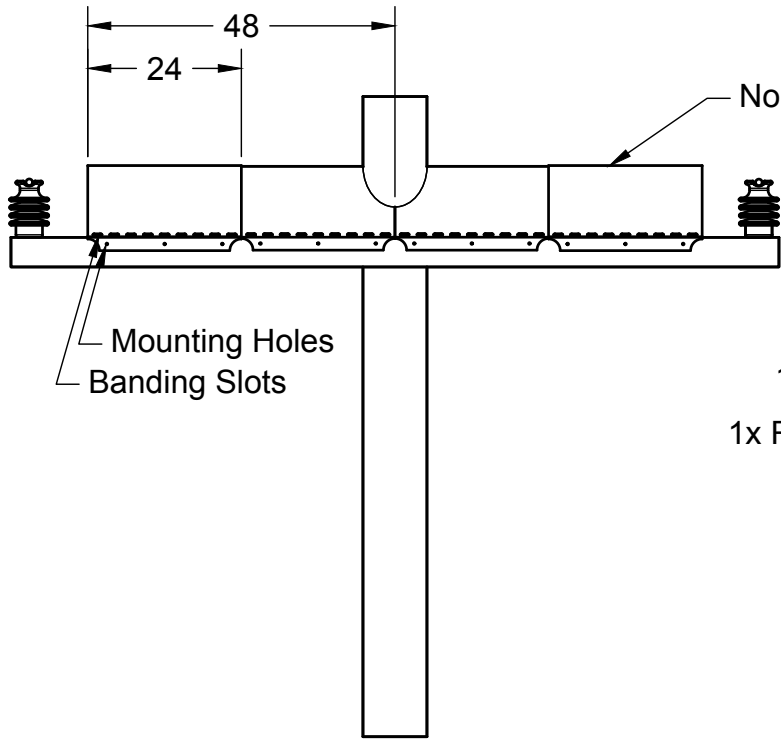




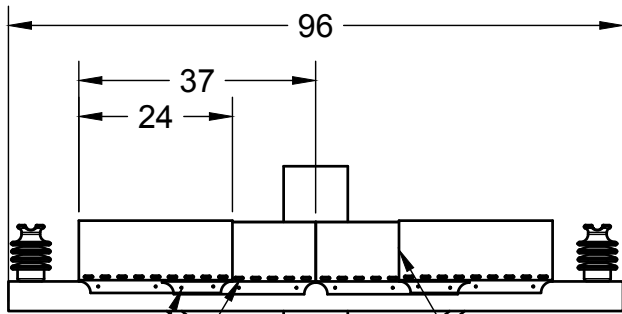
<b>Power Line Sentry, LLC</b> PowerLineSentry.com 8950 Pieper Road Wellington, Colorado 80549 1-970-599-1050			For any unspecified dimensions, reference solid model or contact Power Line Sentry								
			Revisions on this item require inspection All dimensions are in inches Tolerances if not specified: .XX +/- .01 .XXX +/- .005 .XXXX +/- .0005 Angles +/- 1 Degree		<b>MATERIAL DESCRIPTION</b>  <b>Proprietary UV Polymer</b>  All information contained herein is the sole property of Power Line Sentry, LLC. Any reproduction of this drawing in whole or in part without the written permission of Power Line Sentry, LLC is prohibited.						
<u>CONFIDENTIAL:</u> Property of: <b>Power Line Sentry, LLC</b>			APPROVED	KM	3/16/2022	SIZE	TITLE	REV			
			CHECKED	BM	3/16/2022	<b>A</b>	24"-43" Adjustable Diverter for Double Crossarms	<b>A</b>			
			DRAWN	DH	3/16/2022	SCALE	0.005471	SKU	RGNS-24-43	SHEET	1 of 1



<b>Power Line Sentry, LLC</b> PowerLineSentry.com 8950 Pieper Road Wellington, Colorado 80549 1-970-599-1050			For any unspecified dimensions, reference solid model or contact Power Line Sentry								
			Revisions on this item require inspection All dimensions are in inches Tolerances if not specified: .XX +/- .01 .XXX +/- .005 .XXXX +/- .0005 Angles +/- 1 Degree		<b>MATERIAL DESCRIPTION</b>  <b>Proprietary UV Polymer</b>  All information contained herein is the sole property of Power Line Sentry, LLC. Any reproduction of this drawing in whole or in part without the written permission of Power Line Sentry, LLC is prohibited.						
<u>CONFIDENTIAL:</u> Property of: <b>Power Line Sentry, LLC</b>			APPROVED	KM	3/16/2022	SIZE	TITLE	REV			
			CHECKED	BM	3/16/2022	<b>A</b>	24"-43" Adjustable Diverter for Double Crossarms	<b>A</b>			
			DRAWN	DH	3/16/2022	SCALE	0.005471	SKU	RGNS-24-43	SHEET	1 of 1



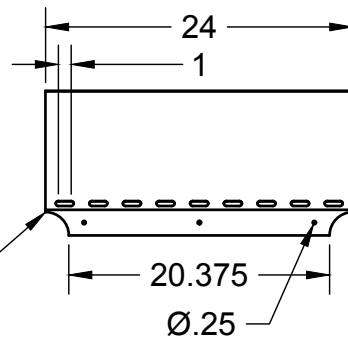
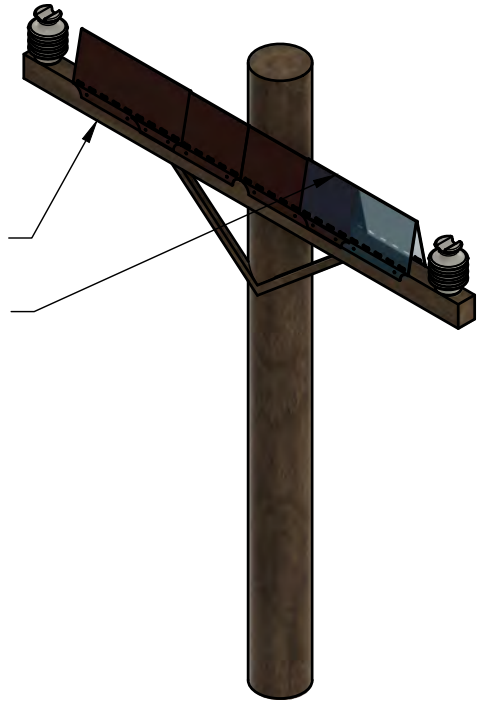
<b>Power Line Sentry, LLC</b> PowerLineSentry.com 8950 Pieper Road Wellington, Colorado 80549 1-970-599-1050			For any unspecified dimensions, reference solid model or contact Power Line Sentry								
			Revisions on this item require inspection All dimensions are in inches Tolerances if not specified: .XX +/- .01 .XXX +/- .005 .XXXX +/- .0005 Angles +/- 1 Degree		<b>MATERIAL DESCRIPTION</b>  <b>Proprietary UV Polymer</b>  All information contained herein is the sole property of Power Line Sentry, LLC. Any reproduction of this drawing in whole or in part without the written permission of Power Line Sentry, LLC is prohibited.						
<u>CONFIDENTIAL:</u> Property of: <b>Power Line Sentry, LLC</b>			APPROVED	KM	3/16/2022	SIZE	TITLE	REV			
			CHECKED	BM	3/16/2022	<b>A</b>	24"-43" Adjustable Diverter for Double Crossarms	<b>A</b>			
			DRAWN	DH	3/16/2022	SCALE	0.005471	SKU	RGNS-24-43	SHEET	1 of 1



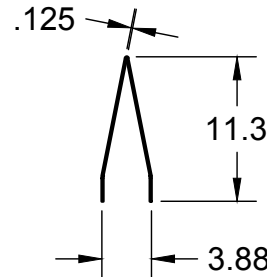
Mounting Holes  
Banding Slots

2 kits shown to provide example of coverage on a full cross-arm

8' Crossarm Configuration  
Overlapping Diverters



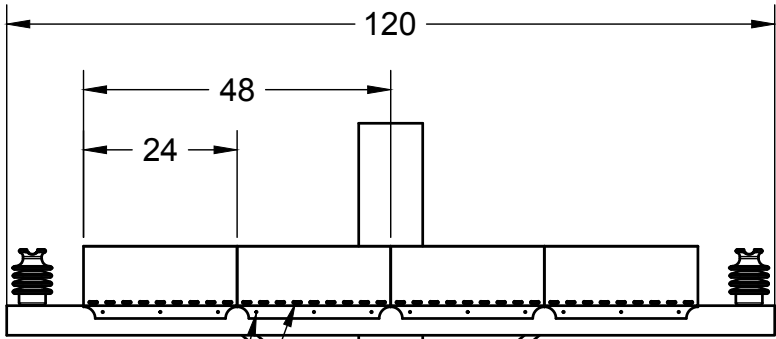
24" Diverter



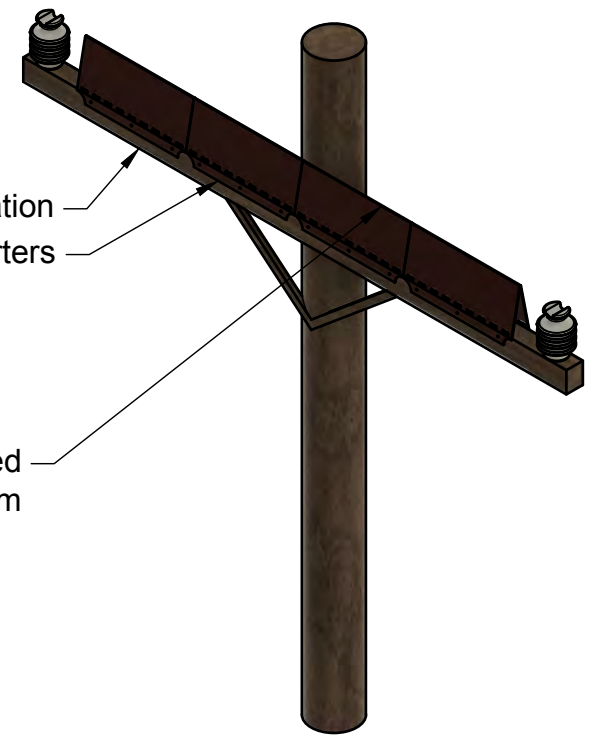
REVISIONS		
REVISION	DESCRIPTION	DATE
A	Initial Release	3/17/2022

RGNS-24-48-S kit includes:  
2: 24" Diverters

<b>Power Line Sentry, LLC</b> PowerLineSentry.com 8950 Pieper Road Wellington, Colorado 80549 1-970-599-1050			For any unspecified dimensions, reference solid model or contact Power Line Sentry		
			Revisions on this item require inspection All dimensions are in inches Tolerances if not specified: .XX +/- .01 .XXX +/- .005 .XXXX +/- .0005 Angles +/- 1 Degree	<b>MATERIAL DESCRIPTION</b>  <b>Proprietary UV Polymer</b>	
<b>CONFIDENTIAL:</b> Property of: <b>Power Line Sentry, LLC</b>			All information contained herein is the sole property of Power Line Sentry, LLC. Any reproduction of this drawing in whole or in part without the written permission of Power Line Sentry, LLC is prohibited.		
APPROVED	KM	3/17/2022	SIZE	TITLE	REV
CHECKED	BM	3/17/2022	<b>A</b>	24"-48" Adjustable Diverter Single Crossarm	<b>A</b>
DRAWN	DH	3/17/2022	SCALE 1:50	SKU RGNS 24-48-S	SHEET 1 of 2



Mounting Holes  
Banding Slots

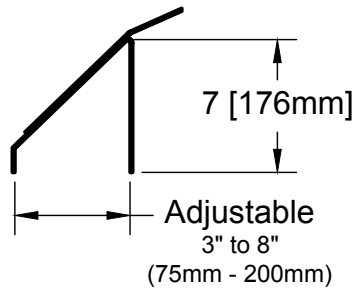
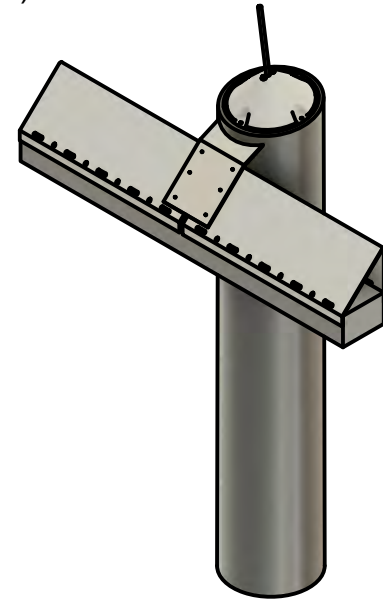
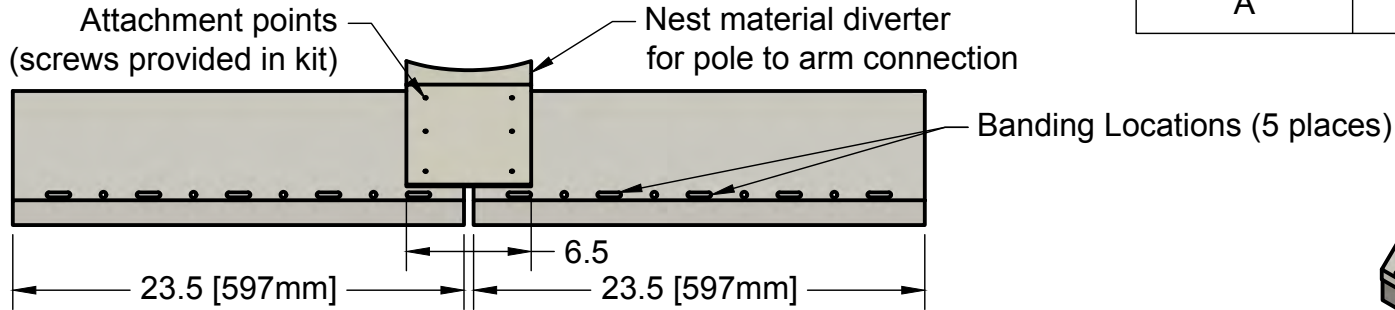


10' Crossarm Configuration  
No Overlapping Diverters

Additional RGNS-24-48-S kit required  
for full coverage of crossarm

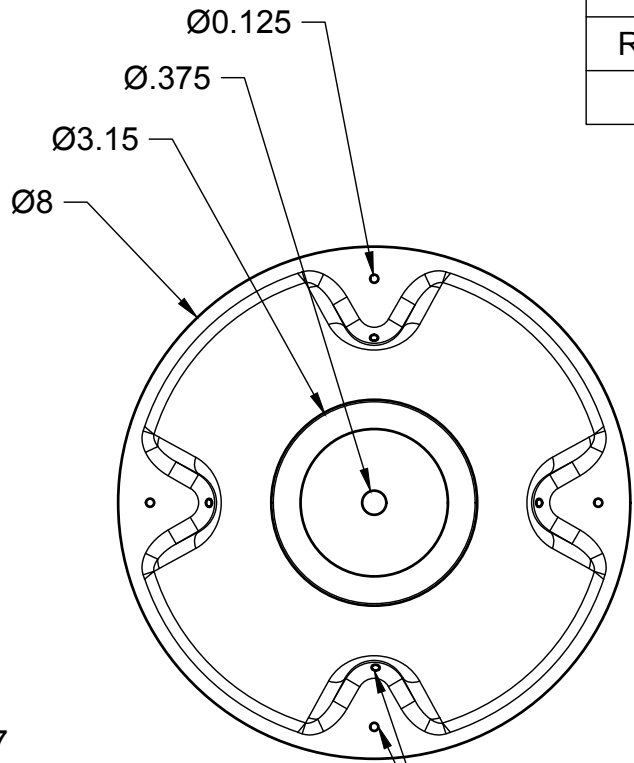
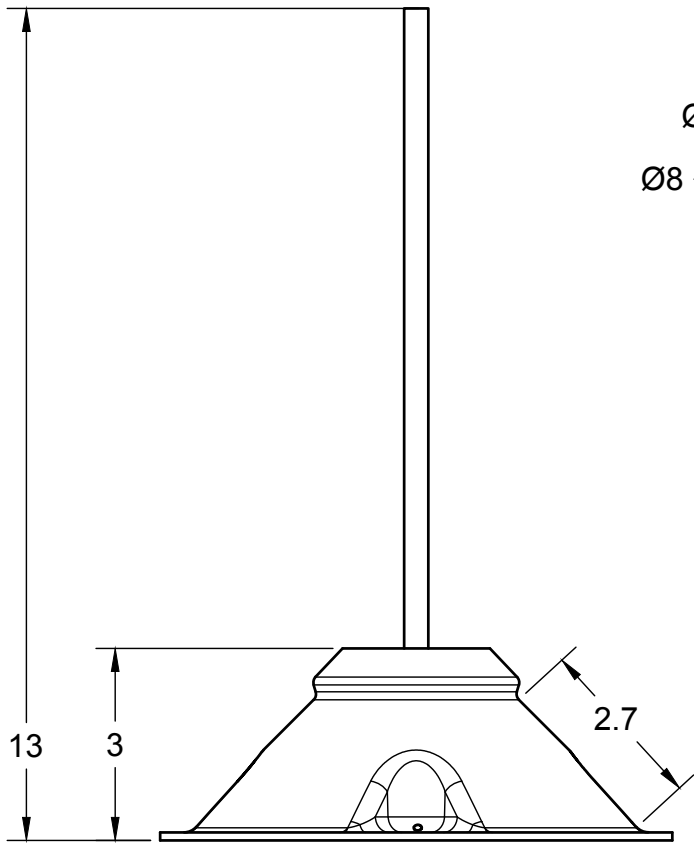
<b>Power Line Sentry, LLC</b> PowerLineSentry.com 8950 Pieper Road Wellington, Colorado 80549 1-970-599-1050			For any unspecified dimensions, reference solid model or contact Power Line Sentry								
			Revisions on this item require inspection All dimensions are in inches Tolerances if not specified: .XX +/- .01 .XXX +/- .005 .XXXX +/- .0005 Angles +/- 1 Degree		<b>MATERIAL DESCRIPTION</b>  <b>Proprietary UV Polymer</b>  All information contained herein is the sole property of Power Line Sentry, LLC. Any reproduction of this drawing in whole or in part without the written permission of Power Line Sentry, LLC is prohibited.						
<u>CONFIDENTIAL:</u> Property of: <b>Power Line Sentry, LLC</b>			APPROVED	KM	3/17/2022	SIZE	TITLE	REV			
			CHECKED	BM	3/17/2022	<b>A</b>	<b>24"-48" Adjustable Diverter Single Crossarm</b>	<b>A</b>			
			DRAWN	DH	3/17/2022	SCALE	1:50	SKU	RGNS 24-48-S	SHEET	2 of 2

REVISIONS		
REVISION	DESCRIPTION	DATE
A	Initial Release	4/24/24



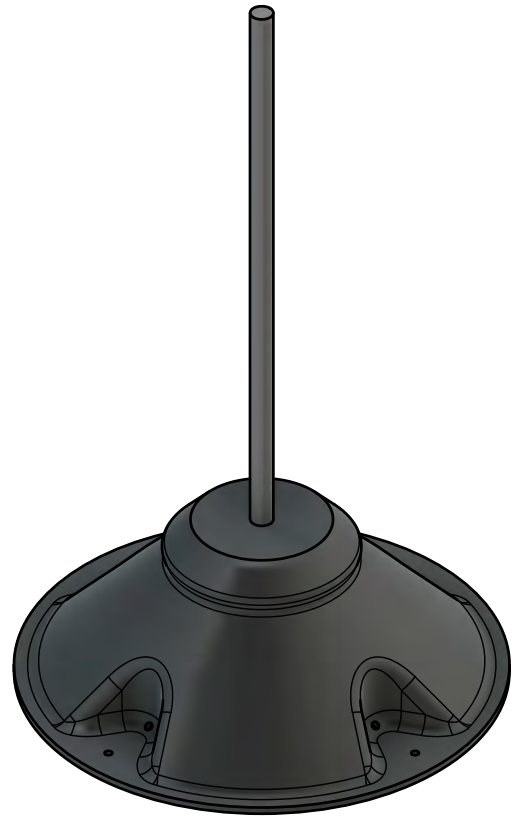
Diverter may be trimmed on site to provide clearance for pole / crossarm hardware.

<b>Power Line Sentry, LLC</b> PowerLineSentry.com 8950 Pieper Road Wellington, Colorado 80549 1-970-599-1050		For any unspecified dimensions, reference solid model or contact Power Line Sentry	
		Revisions on this item require inspection All dimensions are in inches Tolerances if not specified: .XX +/- .01 .XXX +/- .005 .XXXX +/- .0005 Angles +/- 1 Degree	<b>MATERIAL DESCRIPTION</b> Proprietary FR-UV Polymer Color: Gray  All information contained herein is the sole property of Power Line Sentry, LLC. Any reproduction of this drawing in whole or in part without the written permission of Power Line Sentry, LLC is prohibited.
<u>CONFIDENTIAL:</u> Property of: <b>Power Line Sentry, LLC</b>			
APPROVED		SIZE	TITLE
CHECKED		<b>A</b>	2: 24" Single Crossarm Nest Diverters with flat back for placement against pole
DRAWN	KM	4/24/24	SCALE 1:10
		SKU	RGNS-24-MS-V
		SHEET	1 of 1
		REV	<b>A</b>



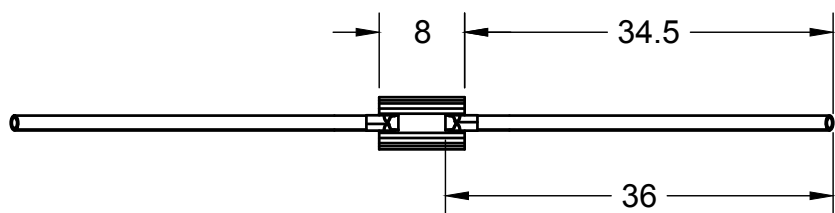
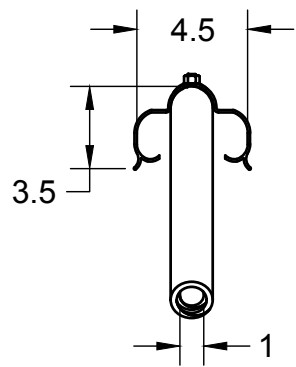
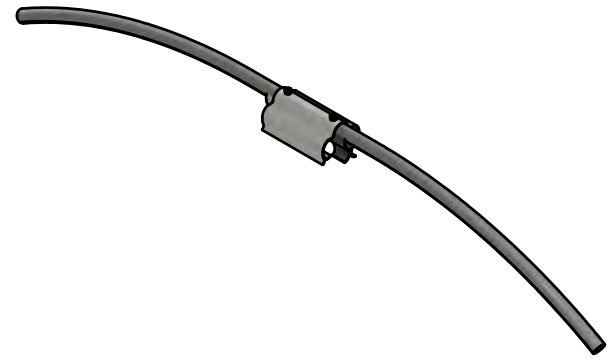
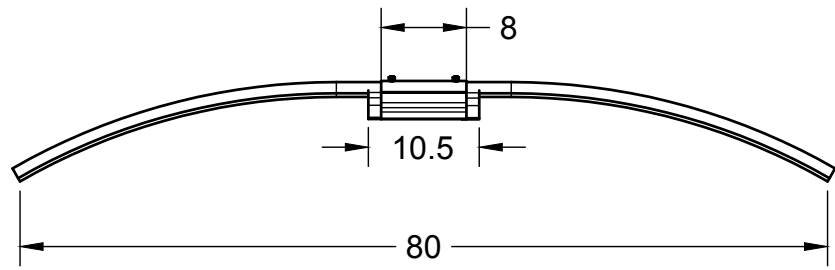
Mounting Holes (x8)

REVISIONS		
REVISION	DESCRIPTION	DATE
A	Initial Release	12/21/2020

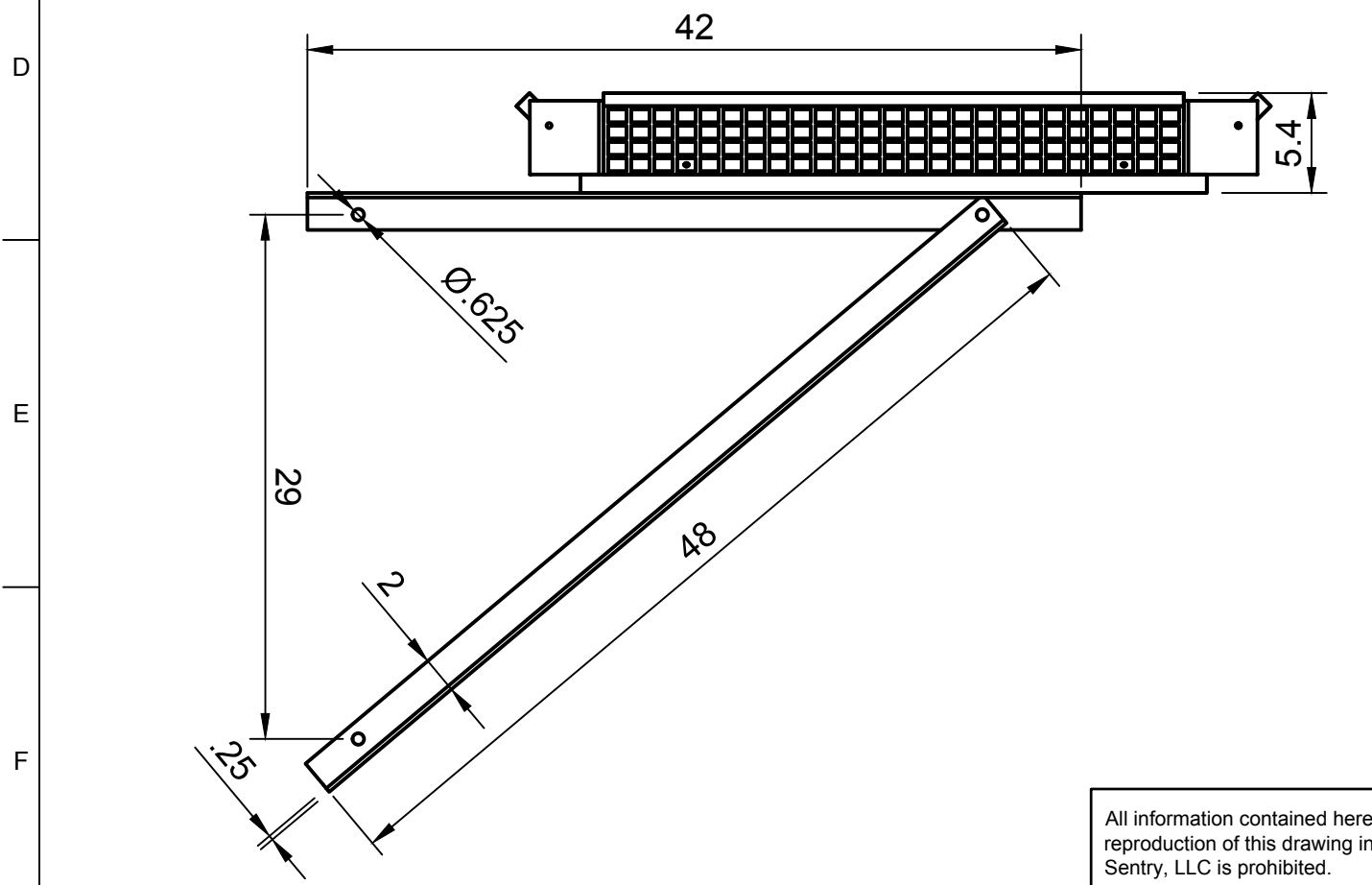
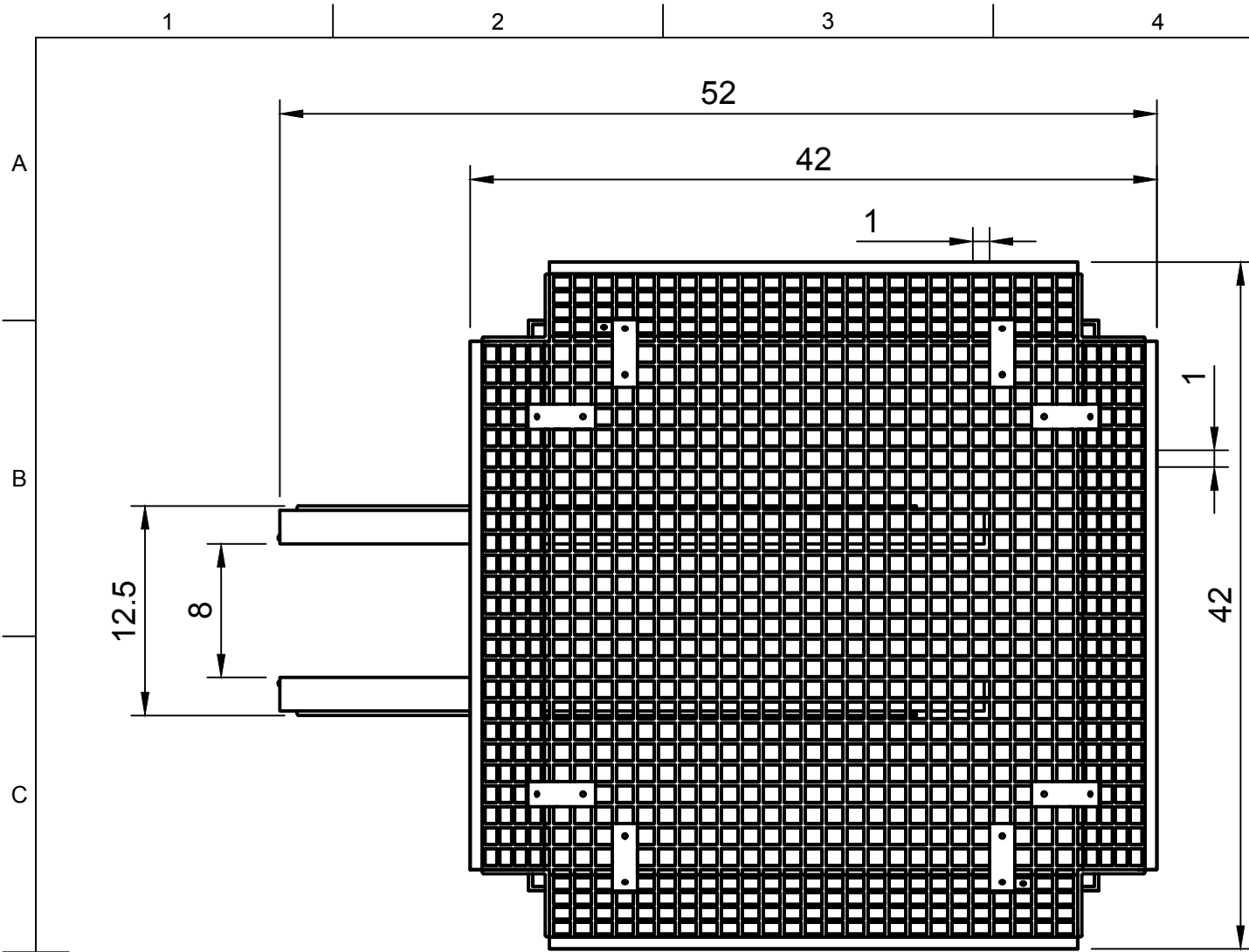


<b>Power Line Sentry, LLC</b> PowerLineSentry.com 8950 Pieper Road Wellington, Colorado 80549 1-970-599-1050			For any unspecified dimensions, reference solid model or contact Power Line Sentry		
<u>CONFIDENTIAL:</u> Property of: <b>Power Line Sentry, LLC</b>			Revisions on this item require inspection All dimensions are in inches Tolerances if not specified: .XX +/- .01 .XXX +/- .005 .XXXX +/- .0005 Angles +/- 1 Degree		MATERIAL DESCRIPTION <b>Proprietary FR-UV Polymer</b> <b>Color: Gray</b> All information contained herein is the sole property of Power Line Sentry, LLC. Any reproduction of this drawing in whole or in part without the written permission of Power Line Sentry, LLC is prohibited.
APPROVED	KM	12/21/2020	SIZE	TITLE	REV
CHECKED	NM	12/21/2020	<b>A</b>	Pole top cap with verticle spike for 7-9" diameter pole top	<b>A</b>
DRAWN	DH	12/21/2020	SCALE	1:3	SKU RGPT-8
			SHEET	1 of 1	

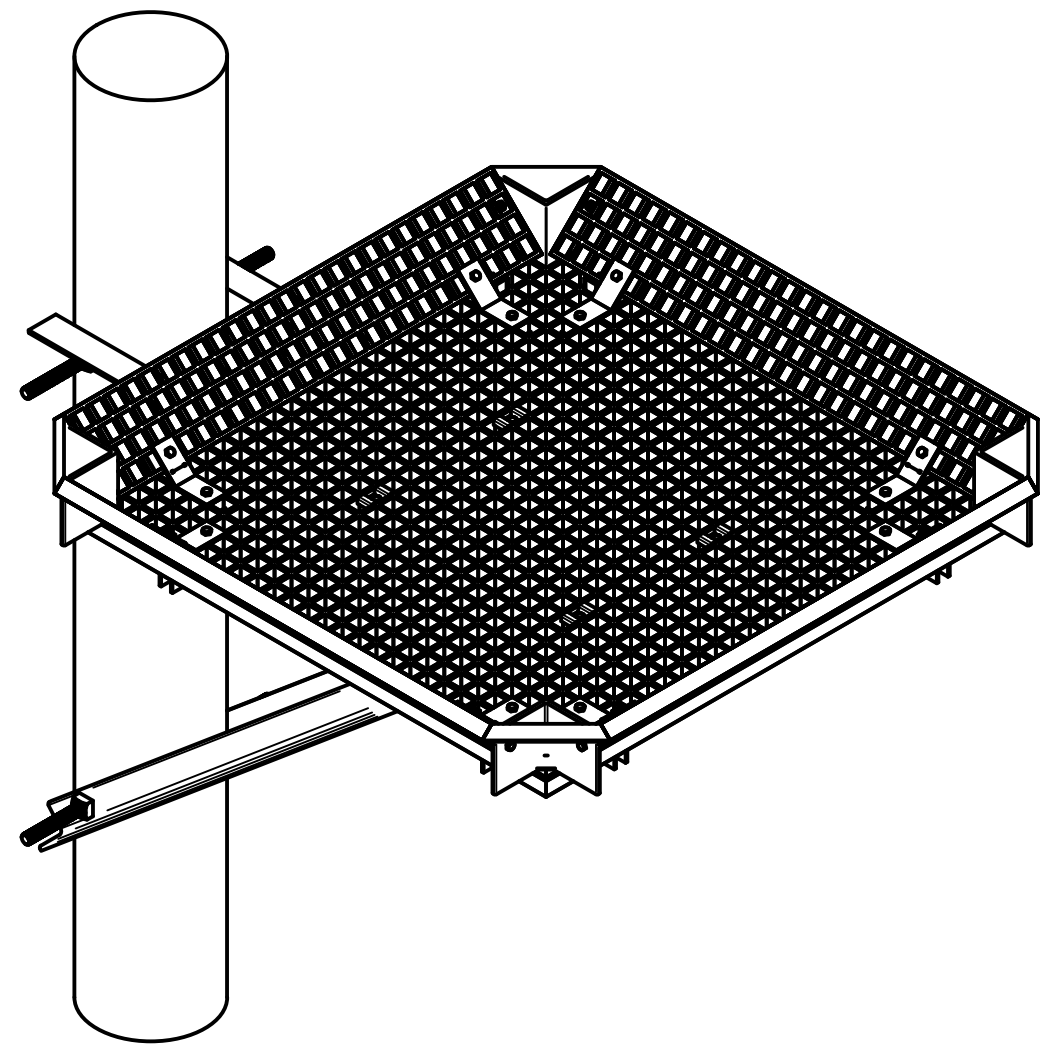
REVISIONS		
REVISION	DESCRIPTION	DATE
A	Initial Release	12/4/2020



<b>Power Line Sentry, LLC</b> PowerLineSentry.com 8950 Pieper Road Wellington, Colorado 80549 1-970-599-1050			For any unspecified dimensions, reference solid model or contact Power Line Sentry								
			Revisions on this item require inspection All dimensions are in inches Tolerances if not specified: .XX +/- .01 .XXX +/- .005 .XXXX +/- .0005 Angles +/- 1 Degree		<b>MATERIAL DESCRIPTION</b> Proprietary FR-UV Polymer Color: Gray		All information contained herein is the sole property of Power Line Sentry, LLC. Any reproduction of this drawing in whole or in part without the written permission of Power Line Sentry, LLC is prohibited.				
<u>CONFIDENTIAL:</u> Property of: <b>Power Line Sentry, LLC</b>			APPROVED	KM	12/4/2020	SIZE		TITLE	REV		
			CHECKED	DH	12/4/2020	<b>A</b>	Insulator conductor cover for C/F neck with flexible sleeves for up to 795 ACSR	<b>A</b>			
			DRAWN	NM	12/4/2020	SCALE	1:1	SKU	CC-Flex-CF-100	SHEET	1 of 1



REVISIONS		
REVISION	DESCRIPTION	DATE
B	Hardware Update	3/1/2022



All information contained herein is the sole property of Power Line Sentry, LLC. Any reproduction of this drawing in whole or in part without the written permission of Power line Sentry, LLC is prohibited.

For any unspecified dimensions, reference solid model or contact Power Line Sentry, LLC			
Do Not Scale Drawing	Drawn By: <b>DH</b> 8/30/2022	<b>Power Line Sentry, LLC</b> 8950 Pieper Road, Wellington, Colorado 80549 1-970-599-1050	
Revisions on this item require inspection	Checked By: <b>NM</b> 8/30/2022		
	Approved By: <b>KM</b> 8/30/2022		
	DEPT: R&D	Title: <b>42" Nest Platform &amp; Pole Attachment</b>	
All dimensions are in inches Tolerances if not specified: .XX +/- .01 .XXX +/- .005 .XXXX +/- .0005 Angles +/- 1 Degree		CONFIDENTIAL Property of: <b>Power Line Sentry, LLC</b>	
Material Description: Proprietary Fiberglass Grating		Size: <b>A3</b>	SKU: <b>RGNP-42-A</b>
		Rev: <b>B</b>	Scale 1:10   Sheet 1 of 1